

28.STARPTAUTISKĀS K.KUNDZIŅA KAUSA IZCĪŅAS SACENSĪBAS
RĪGA. 4.11.2023.

VIETA

2	JEVGENIJS GORKINS	D-pils	$\frac{0}{0}$
1	NIKITA GRIGORJEVS	D-pils	$\frac{4}{10}$

28. STARPTAUTISKĀS K.KUNDZIŅA KAUSA IZCĪŅAS SACENSĪBAS
RĪGA. 4.11.2023.

VIETA

2	NEDAS LEŠČAUSKAS	LTU/Kel	$\frac{0}{0}$
1	KASPAR KŌRT	EST/Lap	$\frac{3}{4}$



VIETA

1	1	ĻUTINSKIS ARTURS	D-pils	$2\frac{0}{5}$	$3\frac{5}{0}$	$4\frac{5}{0}$	$\frac{10}{5}$
2	2	VLADIMIRS VASIĻJEVS	D-pils	$1\frac{5}{6}$	$4\frac{5}{0}$	$3\frac{5}{0}$	$\frac{15}{6}$
3	3	ROLANDS ĻIŅOVŠ	D-pils	$4\frac{5}{0}$	$1\frac{0}{0}$	$2\frac{0}{0}$	$\frac{5}{0}$
4	4	GLĒBS VASIĻJEVS	D-pils	$3\frac{0}{0}$	$2\frac{0}{0}$	$1\frac{0}{0}$	$\frac{0}{0}$



VIETA			QUALIF.	1/4 F	1/2 F	REPECHAGE	FINAL	
2	1	RALFS ŠTIGNERS	Liepāja	BR.	1 3 2 11			
5	2	TOMS KAŅEPE	Kundz	BR.	2 0 2 0	1 4 13		
5	3	ARTJOMS SEĻEZŅS	D-pils	BR.	3 4 3 10	3 1 2		
8	4	ALEKSANDRS JELISEJEVS	Daugm	BR.	4 0 4 0			
3	5	MARTYNAS PLIAKUS	LTU/Kla	BR.	5 4 4 10			
3	6	DENISS ALEKS. AKUNTJEVS	D-pils	BR.	6 0 6 0	5 1 2		
7	7	VLADISLAVS PAVLOVS	D-pils	BR.	7 0 7 0	8 3 1		
1	8	TOMASS LIEPIŅŠ	PBLCKK	BR.	8 4 1 10	8 5 4		
9	9	PAVELS GOLUBEVS	Daugm	BR.	9 0 9 0			
							2 5 4	
							4 0 0	
							2 5 5	
							2 0 2	
							1 1 4	
							8 3 7	
							6 5 12	
							7 0 3	
							9 0 0	
							6 5 6	
							3 1 1	
							6 3 12	



VIETA				QUALIF.	1/4 F	1/2 F	REPECHAGE	FINAL
2	1	KRISTOFERS PURIŅŠ	Kundz	BR.	1 $\frac{3}{8}$			B $\frac{F3-5$
5	2	DANS DANIELS CVĪBELIS	Liepāja	BR.	2 $\frac{0}{0}$	1 $\frac{4}{12}$		4 $\frac{5}{6}$
7	3	ARTŪRS GORBAČOVŠ	Kundz	BR.	3 $\frac{1}{4}$	4 $\frac{1}{2}$		2 $\frac{0}{0}$
3	4	DANIILS MALIŠEVŠ	D-pils	4 $\frac{5}{4}$	4 $\frac{4}{14}$		10 $\frac{2}{0}$	1 $\frac{1}{2}$
10	5	KRISTERS MORTUZĀNS	Kundz	5 $\frac{0}{0}$			12 $\frac{5}{0}$	11 $\frac{3}{6}$
9	6	LAURIS PURIŅŠ	Kundz	BR.	6 $\frac{0}{0}$			A $\frac{F3-5$
5	7	BENAS ŠIMULIS	LTU/Kel	BR.	7 $\frac{5}{8}$	7 $\frac{0}{0}$		7 $\frac{0}{0}$
8	8	KRISTAPS BAĻČŪNS	Augšd.n	8 $\frac{0}{6}$	9 $\frac{5}{4}$		10 $\frac{0}{0}$	9 $\frac{4}{10}$
3	9	JAN STANIUS	LTU/Kla	9 $\frac{4}{10}$	9 $\frac{1}{3}$		11 $\frac{5}{0}$	
11	10	MARKUSS IZKALNS	D.Ķek.	10 $\frac{0}{0}$	11 $\frac{3}{4}$		13 $\frac{5}{9}$	
1	11	OĻEGS FJODOROVŠ	D-pils	11 $\frac{4}{10}$			15 $\frac{9}{9}$	



VIETA			QUALIF.	1/4 F	1/2 F	REPECHAGE	FINAL
8	1	ALEKSEJS BIRJUKOVS	Augšd.n	BR.	1 0 0 0		
1	2	VAKARIS ŠIMOLIŪNAS	LTU/Rad	BR.	2 4 10 0		
5	3	MARKS GARMOĻOVS	PBLCKK	BR.	3 0 0 0		
3	4	EDGARS GRĪSLIS	Kundz	4 5 0 0	4 4 10 0		
9	5	NIKITA KISEĻOVS	D-pils	5 0 0 0			
10	6	GUNTARS VORSLOVS	Krāslava	BR.	6 0 0 0		
3	7	ANDRII FEOKTISTOV	FIN	BR.	7 5 4 0		
7	8	RICHARD PUKK	EST/Lap	BR.	8 1 2 0		
2	9	AIDAS ŠARŪNAS	LTU/Rad	9 5 6 0	9 3 7 0		
5	10	OLEKSANDR KOSYNTSEV	EST/Vil	10 0 3 0			

1/2 F	REPECHAGE	FINAL
2 3 8 0	1 0 0 0 3 4 10 0	F3-5 4 4 10 0 3 0 0 0
4 1 6 0	5 0 0 0 3 5 0 0	F1-2 2 3 10 0 9 1 2 0
7 0 0 0	6 0 0 0 8 5 0 0	F3-5 7 3 11 0 1 0 7 0
9 3 7 0	10 5 6 0 8 0 0 0	



VIETA			QUALIF.	1/4 F	1/2 F	REPECHAGE	FINAL
1	1	ALIFKHAN AMIROVS	D-pils	BR.	1 $\frac{3}{4}$		
5	2	RENAT SHAKHBAZOV	EST/Vil	BR.	2 $\frac{1}{2}$		
8	3	VIKTORS KRAVČENKO	Kundz	3 $\frac{4}{12}$	1 $\frac{5}{5}$		
9	4	RENĀTS MEDZIŅŠ	Augšd.n	4 $\frac{1}{2}$	3 $\frac{0}{2}$		
5	5	LORENSS KOROTKIJS	D.Ķek.	5 $\frac{5}{16}$	5 $\frac{4}{8}$		
12	6	MĀRIS BALTMANIS	Augšd.n	6 $\frac{0}{10}$			
10	7	EVERTS TOPORKOVS	Krāslava	BR.	7 $\frac{0}{0}$		
3	8	ANDREJS MIŠTOVS	D-pils	BR.	8 $\frac{4}{10}$		
11	9	DĀVIS GABRĀNS	Jelg.n	9 $\frac{0}{0}$	8 $\frac{0}{0}$		
3	10	GUSTAS KARČAUSKAS	LTU/Ras	10 $\frac{4}{8}$	10 $\frac{0}{0}$		
2	11	ARTJOMS BOBROVS	Kundz	11 $\frac{5}{2}$	11 $\frac{5}{4}$		
7	12	KRISTIĀNS JANSONS	Jelg.n	12 $\frac{0}{0}$			
						11 $\frac{2}{5}$ / 6 $\frac{0}{0}$	15 $\frac{5}{2}$ / 2 $\frac{0}{0}$
						13 $\frac{3}{0}$ / 2 $\frac{5}{4}$	17 $\frac{3}{6}$ / 11 $\frac{1}{1}$
						12 $\frac{7}{12}$ / 4 $\frac{4}{14}$	16 $\frac{5}{10}$ / 10 $\frac{0}{6}$
						14 $\frac{10}{12}$ / 10 $\frac{4}{0}$	17 $\frac{3}{6}$ / 11 $\frac{1}{1}$
						14 $\frac{10}{12}$ / 10 $\frac{4}{0}$	16 $\frac{5}{10}$ / 10 $\frac{0}{6}$



VIETA

3	1	TIMURS KĻUJEVS	Kundz	$2\frac{3}{5}$	$3\frac{0}{0}$		$\frac{3}{5}$	
6	2	DMITRIJS CAREVS	Krāslava	$1\frac{1}{2}$		$3\frac{0}{0}$	$\frac{1}{2}$	$3\frac{0}{0}$
2	3	NEILS JAVOROVIČS	Jelg.n		$1\frac{5}{4}$	$2\frac{5}{4}$	$\frac{10}{8}$	
3	4	MINDAUGAS PAULAUSKAS	LTU/Kla	$5\frac{4}{11}$	$6\frac{0}{0}$	$7\frac{5}{0}$	$\frac{9}{11}$	FINAL
5	5	KIRILLS JEVLAMPIEVS	FreeZone	$4\frac{0}{0}$	$7\frac{5}{0}$	$6\frac{0}{0}$	$\frac{5}{0}$	
1	6	VALĒRIJS BARINOVS	D-pils	$7\frac{5}{0}$	$4\frac{4}{10}$	$5\frac{5}{0}$	$\frac{14}{10}$	$6\frac{5}{14}$
7	7	PLATONS FAMENKO	Kundz	$6\frac{0}{0}$	$5\frac{0}{0}$	$4\frac{0}{0}$	$\frac{0}{0}$	



VIETA			1/4F	1/2F	REPECHAGE	FINAL																											
2	1	ARTJOMS RRILIPKO	LSCSK	1 $\frac{5}{4}$	<table border="1"> <tr><td>1</td><td>4</td></tr> <tr><td>5</td><td>14</td></tr> <tr><td>3</td><td>1</td></tr> <tr><td>3</td><td>2</td></tr> </table>	1	4	5	14	3	1	3	2	<table border="1"> <tr><td>2</td><td>0</td></tr> <tr><td>0</td><td></td></tr> <tr><td>4</td><td>5</td></tr> <tr><td>4</td><td>4</td></tr> </table>	2	0	0		4	5	4	4	<table border="1"> <tr><td>B</td><td>F3-5</td></tr> <tr><td>6</td><td>0</td></tr> <tr><td>6</td><td></td></tr> <tr><td>9</td><td>5</td></tr> <tr><td>4</td><td>3</td></tr> </table>	B	F3-5	6	0	6		9	5	4	3
1	4																																
5	14																																
3	1																																
3	2																																
2	0																																
0																																	
4	5																																
4	4																																
B	F3-5																																
6	0																																
6																																	
9	5																																
4	3																																
7	2	ARMANDAS KAIRYS	LTU/Kla	2 $\frac{0}{2}$																													
3	3	DANIĻA TUMAŠEVIČS	D-pils	3 $\frac{5}{2}$																													
3	4	URHO SUSI	FIN	4 $\frac{0}{8}$																													
5	5	ĢĒBIS KIRILOVS	D-pils	5 $\frac{1}{6}$	<table border="1"> <tr><td>6</td><td>0</td></tr> <tr><td>0</td><td></td></tr> <tr><td>7</td><td>4</td></tr> <tr><td>7</td><td>10</td></tr> </table>	6	0	0		7	4	7	10	<table border="1"> <tr><td>F1-2</td><td></td></tr> <tr><td>11</td><td>0</td></tr> <tr><td>0</td><td></td></tr> <tr><td>7</td><td>5</td></tr> <tr><td>10</td><td></td></tr> </table>	F1-2		11	0	0		7	5	10										
6	0																																
0																																	
7	4																																
7	10																																
F1-2																																	
11	0																																
0																																	
7	5																																
10																																	
5	6	ROBIN KOZLOVSKI	EST/Nip	6 $\frac{3}{12}$																													
1	7	DMITRIJS ŠITOVŠ	Kundz	7 $\frac{5}{0}$																													
8	8	JOKŪBAS VALINČIUS	LTU/Ras	8 $\frac{0}{0}$																													
					<table border="1"> <tr><td>5</td><td>5</td></tr> <tr><td>0</td><td></td></tr> <tr><td>8</td><td>0</td></tr> <tr><td>0</td><td></td></tr> </table>	5	5	0		8	0	0		<table border="1"> <tr><td>A</td><td>F3-5</td></tr> <tr><td>3</td><td>5</td></tr> <tr><td>4</td><td></td></tr> <tr><td>10</td><td>0</td></tr> <tr><td>5</td><td>0</td></tr> <tr><td>0</td><td></td></tr> </table>	A	F3-5	3	5	4		10	0	5	0	0								
5	5																																
0																																	
8	0																																
0																																	
A	F3-5																																
3	5																																
4																																	
10	0																																
5	0																																
0																																	
					<table border="1"> <tr><td>8</td><td>5</td></tr> <tr><td>0</td><td></td></tr> <tr><td>8</td><td>0</td></tr> <tr><td>0</td><td></td></tr> </table>	8	5	0		8	0	0		<table border="1"> <tr><td>10</td><td>0</td></tr> <tr><td>0</td><td></td></tr> </table>	10	0	0																
8	5																																
0																																	
8	0																																
0																																	
10	0																																
0																																	
					<table border="1"> <tr><td>8</td><td>0</td></tr> <tr><td>0</td><td></td></tr> </table>	8	0	0		<table border="1"> <tr><td>10</td><td>0</td></tr> <tr><td>0</td><td></td></tr> </table>	10	0	0																				
8	0																																
0																																	
10	0																																
0																																	
					<table border="1"> <tr><td>8</td><td>0</td></tr> <tr><td>0</td><td></td></tr> </table>	8	0	0		<table border="1"> <tr><td>10</td><td>0</td></tr> <tr><td>0</td><td></td></tr> </table>	10	0	0																				
8	0																																
0																																	
10	0																																
0																																	



VIETA

4	1	ILLIYA KULAKOV	LTU/Kla	$2\frac{0}{0}$	$5\frac{5}{6}$	$4\frac{0}{0}$	$3\frac{0}{0}$		$\frac{5}{6}$
3	2	IGNAS BANEVIČIUS	LTU/Kel	$1\frac{5}{2}$	$3\frac{0}{0}$	$5\frac{5}{0}$		$4\frac{0}{0}$	$\frac{10}{2}$
1	3	ARTŪRS NIZINS	D-pils	$4\frac{4}{10}$	$2\frac{4}{13}$		$1\frac{5}{0}$	$5\frac{4}{12}$	$\frac{17}{35}$
2	4	ARMANDS LĪCIS	Kundz	$3\frac{0}{0}$		$1\frac{5}{0}$	$5\frac{5}{14}$	$2\frac{5}{10}$	$\frac{15}{24}$
5	5	MARK ILJINS	LTU/Kla		$1\frac{0}{0}$	$2\frac{0}{0}$	$4\frac{0}{3}$	$3\frac{0}{0}$	$\frac{0}{0}$



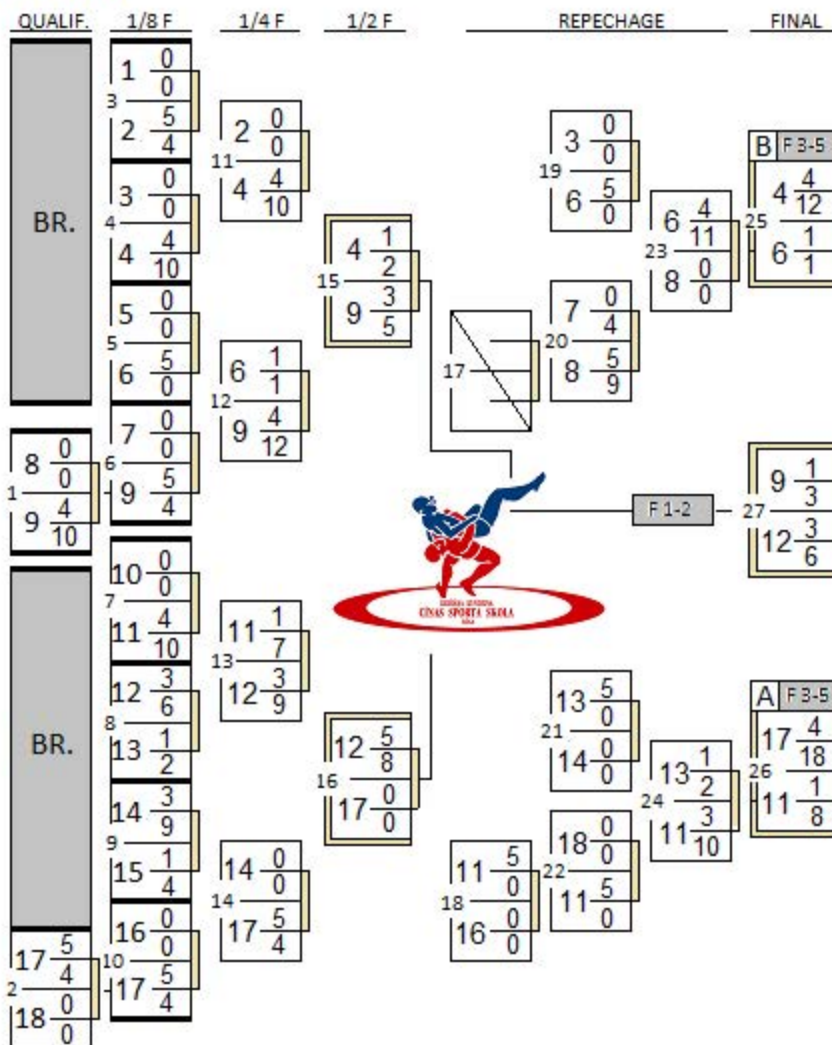
VIETA				QUALIF.	1/4 F	1/2 F	REPECHAGE	FINAL
3	1	IĻJA TIMOFEJEVS	D-pils	BR.	1 $\frac{1}{5}$			B $\frac{F3-5$
2	2	ILJA JAKOVLEV	LTU/Kla	BR.	2 $\frac{3}{8}$	2 $\frac{4}{10}$		7 $\frac{0}{0}$
11	3	ALEKSANDRS KAPKO	Liepāja	BR.	3 $\frac{0}{0}$	5 $\frac{0}{0}$		14 $\frac{4}{10}$
9	4	VERNERI KOTILAINEN	FIN	4 $\frac{0}{0}$	5 $\frac{5}{8}$		10 $\frac{4}{0}$	
5	5	ALLANS KLAUCENS	Free Zone	5 $\frac{5}{2}$				16 $\frac{5}{6}$
10	6	DŽOVANI SPAŅOLO	Kundz	BR.	6 $\frac{0}{0}$			A $\frac{F3-5$
5	7	TIMURS TRUŠS	Kundz	BR.	7 $\frac{5}{0}$	7 $\frac{0}{0}$		5 $\frac{0}{0}$
7	8	MIHAILS POGODINS	LSCSK	8 $\frac{5}{4}$	9 $\frac{5}{5}$	10 $\frac{9}{9}$		15 $\frac{5}{4}$
8	9	DMITRIJS ČERŅAVSKIS	D-pils	2 $\frac{0}{0}$	8 $\frac{0}{0}$			
1	10	ARTJOMS CVETKOVŠ	Kundz	10 $\frac{4}{10}$	7 $\frac{5}{4}$			
3	11	ILIA ŠERVAŠIDZE	Augšd.n	3 $\frac{0}{0}$	11 $\frac{0}{0}$			

28.STARPTAUTISKĀS K.KUNDZIŅA KAUSA IZCĪNAS SACENSĪBAS
RĪGA. 4.11.2023.

VIETA

15	1	NIKOLAJS ORLOVS	Krāslava
9	2	DEMIDS JUDINS	Jelg.n
17	3	VALTERS MATISONS	Kundz
3	4	BAKIRS MAMEDOVŠ	D-pils
14	5	STANISLAVS KORSOKOVŠ	Kundz
5	6	ALEKSEI LISITSA	FIN
12	7	ARIJUS BALTINAS	LTU/Kla
8	8	NOJUS SILIŪNAS	LTU/Kel
2	9	ROEL LUOSTARINEN	FIN

13	10	FJODORS AVDEJENKO	D-pils
5	11	RAIN TIGAS	EST/Lap
1	12	ARNAS ZBORMIRSKIS	LTU/Kla
7	13	DMITRIJS DALIBA	LSCSK
10	14	DENISS DALIBA	LSCSK
11	15	MAKARS BASARABS	Liepāja
18	16	TIMOFEJS KUCHARJONOKS	D-pils
3	17	DOMANTAS SKRODENIS	LTU/Kel
16	18	KIRILLS AKULOVŠ	Kundz





VIETA			QUALIF.	1/4 F	1/2 F	REPECHAGE	FINAL
9	1	LIONELS ŠAPOVALOVŠ	Kundz	BR.	1 0 0 0		
1	2	KOROTKOV DANIIL	FIN	BR.	2 4 0 10		
3	3	ELVINAS ŽAKAITIS	LTU/Ras	BR.	3 0 0 0		
11	4	VLADIMIRS SVITŅOVŠ	Kundz	4 0 0 0	5 5 0 4		
3	5	IĻJA IVANOVŠ	D-pils	5 5 0 6			
7	6	ROBERTS ENKURS	Bauska	BR.	6 0 0 0		
2	7	MATVEJS GLINKINS	LSCSK	BR.	7 4 0 10		
5	8	IGORS OSJMJUHINS	Kundz	8 4 0 10	9 7 0 8		
10	9	ROMVALDS TUKĀNS	Augšd.n	9 0 0 0	8 4 0 10		
5	10	JURII PONOMAROV	EST/Vil	10 4 0 11	7 0 0 0		
8	11	KOSTAS ŠIMULIS	LTU/Kel	11 1 0 1			
						10 1 0 0 3 4 10	B F 3-5 8 0 0 0 3 5 4
						12 4 0 0 0 3 5 5	
						16 F1-2	2 4 10 0 7 0
						11 6 5 0 9 9 0	A F 3-5 5 4 10 0 10 0
						13 10 4 0 10 6 0 0	



VIETA			1/4F	1/2F	REPECHAGE	FINAL								
7	1	IĻJA ŽUKS	Kundz	1 0 2	<table border="1"> <tr><td>2 0 0</td></tr> <tr><td>5 5 4 0</td></tr> </table>	2 0 0	5 5 4 0	<table border="1"> <tr><td>1 0 0</td></tr> <tr><td>3 5 10</td></tr> </table>	1 0 0	3 5 10	<table border="1"> <tr><td>B F3-5</td></tr> <tr><td>5 0 4</td></tr> <tr><td>9 3 5 7</td></tr> </table>	B F3-5	5 0 4	9 3 5 7
2 0 0														
5 5 4 0														
1 0 0														
3 5 10														
B F3-5														
5 0 4														
9 3 5 7														
5	2	DANIILS ŠLEVE	Kundz	2 5 6										
3	3	DANIIL ČUCHRAJ	LTU/Kla	3 0 1										
2	4	ROBERTS BAĻČUNS	Augšd.n	4 5 12										
5	5	LAURYNAS STULGINSKIS	LTU/Kel	5 5 4	<table border="1"> <tr><td>5 0 0</td></tr> <tr><td>6 4 4</td></tr> <tr><td>6 5 7 4 10</td></tr> </table>	5 0 0	6 4 4	6 5 7 4 10	<table border="1"> <tr><td>F1-2</td></tr> <tr><td>4 0 0</td></tr> <tr><td>11 7 4 10</td></tr> </table>	F1-2	4 0 0	11 7 4 10		
5 0 0														
6 4 4														
6 5 7 4 10														
F1-2														
4 0 0														
11 7 4 10														
3	6	MATAS JANCIUS	LTU/Kel	6 0 4										
1	7	PLATON YASTREBOV	FIN	7 4 10										
8	8	DMITRIJS IVANOVS	D-pils	8 0 0	<table border="1"> <tr><td>6 5 0</td></tr> <tr><td>8 0 0</td></tr> </table>	6 5 0	8 0 0	<table border="1"> <tr><td>A F3-5</td></tr> <tr><td>2 0 0</td></tr> <tr><td>10 6 5 10</td></tr> </table>	A F3-5	2 0 0	10 6 5 10			
6 5 0														
8 0 0														
A F3-5														
2 0 0														
10 6 5 10														



VIETA

5	1	KLAJUS SMOLSKAS	LTU/Kla	2 $\frac{0}{0}$	3 $\frac{0}{0}$		$\frac{0}{0}$	
3	2	ALEKSIS ZIHMANIS	Jelg.n	1 $\frac{5}{3}$		3 $\frac{0}{0}$	$\frac{5}{3}$	3 $\frac{3}{4}$
1	3	VSEVOLODS SERGEJEVS	Kundz		1 $\frac{5}{2}$	2 $\frac{4}{10}$	$\frac{9}{12}$	
3	4	DANIELIUS PLATAKIS	LTU/Kla	5 $\frac{0}{0}$	6 $\frac{5}{2}$		$\frac{5}{2}$	
2	5	NIKITA NOVIKOV	LTU/Kla	4 $\frac{5}{2}$		6 $\frac{5}{10}$	$\frac{10}{12}$	5 $\frac{1}{3}$
6	6	LAURI PILLER	EST/Nip		4 $\frac{0}{0}$	5 $\frac{0}{0}$	$\frac{0}{0}$	

FINAL



VIETA

2	1	ARNAS JOKIMČIUS	LTU/Kel	$2\frac{4}{11}$	$3\frac{0}{0}$	$4\frac{4}{10}$	$\frac{8}{21}$
4	2	JĀNIS GUSTS	Bauska	$1\frac{0}{0}$	$4\frac{0}{0}$	$3\frac{0}{0}$	$\frac{0}{0}$
1	3	ERNESTS STABIŅŠ	Kundz	$4\frac{5}{11}$	$1\frac{3}{6}$	$2\frac{4}{10}$	$\frac{12}{27}$
3	4	UGNIUS PETRAUSKAS	LTU/Kel	$3\frac{0}{0}$	$2\frac{5}{4}$	$1\frac{0}{0}$	$\frac{5}{4}$

85+

2009
FS28. STARPTAUTISKĀS K.KUNDZIŅA KAUSA IZCĪŅAS SACENSĪBAS
RĪGA. 4.11.2023.

VIETA

1	ALEKSANDRS FELDMANIS	Jelg.n	$\frac{5}{0}$
2	KIRILLS TAMANS	Kundz	$\frac{0}{0}$



A.gr.


VIETA

21	1	ERIKAS NORKUS	LTU/Jon.
2	2	EMANUELS INDĀRS	Kundz.
12	3	REINIS MAZUROVS	D-pils
18	4	KIRILLS MILAŠEVIČS	Augšd.n.
5	5	NIKITA SOKOLOVS	Kundz.
13	6	DMITRIJS OĻEŠČUKS	Kundz.
14	7	NIKITA TEN	LTU/Kl.
3	8	JELISEJS SINEGUBOVS	Daugm.
16	9	BENAS PEČIULIS	LTU/Klm.
9	10	KIRILS SEĻEZEŅS	D-pils
19	11	SAVELIJS GUĻAJEVS	Kundz.


QUALIF.	1/8 F	1/4 F	1/2 F	REPECHAGE	FINAL
BR.	1 $\frac{0}{0}$				
BR.	2 $\frac{4}{10}$	2 $\frac{5}{6}$		23 $\frac{1}{0}$ 3 $\frac{5}{0}$	B F 3-5 18 $\frac{0}{0}$ 29 $\frac{8}{4}$
BR.	3 $\frac{4}{10}$	3 $\frac{0}{0}$			
BR.	4 $\frac{0}{0}$		19 $\frac{2}{10}$ 5 $\frac{0}{0}$	27 $\frac{3}{0}$ 8 $\frac{5}{2}$	
BR.	5 $\frac{5}{4}$				
BR.	6 $\frac{3}{7}$	9 $\frac{5}{6}$	16 $\frac{5}{7}$ 8 $\frac{0}{12}$	24 $\frac{6}{0}$ 8 $\frac{5}{8}$	
BR.	7 $\frac{1}{4}$				
BR.	8 $\frac{5}{10}$				
BR.	9 $\frac{0}{4}$	10 $\frac{8}{10}$			A F 1-2 2 $\frac{0}{0}$ 31 $\frac{13}{10}$ B F 1-2
BR.	10 $\frac{5}{4}$	10 $\frac{0}{0}$			
BR.	11 $\frac{0}{0}$				

VIETA			QUALIF.	1/8 F	1/4 F	1/2 F	REPECHAGE	FINAL
8	1	RIČARDS TENSBERGS	Kundz	BR.	1 $\frac{4}{10}$			
13	2	MATVEJS DIBRIVNIJS	Kundz	BR.	2 $\frac{0}{0}$	1 $\frac{1}{2}$		
3	3	ARTJOMS KUJALOVŠ	LSCSK	BR.	3 $\frac{0}{0}$	4 $\frac{3}{6}$		
1	4	ŠKEMA AŽUOLAS	LTU/Rad	BR.	4 $\frac{3}{9}$			
10	5	IJANS JAKOVĻEVS	Bauska	BR.	5 $\frac{5}{4}$			
16	6	TIMURS SAVČENKO	Krāslava	BR.	6 $\frac{0}{0}$	5 $\frac{0}{0}$		
5	7	ARNIJS ARSENTJEVS	Bauska	BR.	7 $\frac{4}{10}$	7 $\frac{4}{10}$		
9	8	USTINS KRAVCEVIČŠ	Krāslava	BR.	8 $\frac{0}{0}$			
3	9	TAJUS LEŠČAUSKAS	LTU/Kel	BR.	9 $\frac{5}{8}$			
12	10	ANDREJS TROJANOVSKIS	D-pils	BR.	10 $\frac{0}{2}$	9 $\frac{1}{6}$		
2	11	ARTJOMS PAVLOVS	D-pils	BR.	11 $\frac{4}{11}$	11 $\frac{4}{18}$		
11	12	JĀNIS ĶIKURS	Bauska	BR.	12 $\frac{0}{0}$			
7	13	NOJUS STONAITIS	LTU/Kel	BR.	13 $\frac{4}{10}$			
14	14	IĻJA DZHUMAIEV	LTU/Rad	BR.	14 $\frac{0}{0}$	13 $\frac{0}{0}$		
17	15	DANIELS ZIHMANIS	Jelg.n.	BR.	15 $\frac{0}{0}$	17 $\frac{4}{10}$		
15	16	KRISTERS LINUŽŠ	LSCSK	BR.	16 $\frac{0}{0}$	17 $\frac{5}{4}$		
5	17	IBRAHIMS MALOVŠ	Kundz	BR.	17 $\frac{5}{2}$			

14	4 $\frac{3}{3}$	14	7 $\frac{1}{1}$	17	3 $\frac{3}{6}$	17	1 $\frac{1}{3}$	21	3 $\frac{5}{2}$	23	17 $\frac{0}{0}$	23	17 $\frac{0}{0}$	23	3 $\frac{4}{10}$
18	8 $\frac{5}{10}$	18	5 $\frac{0}{4}$	21	8 $\frac{0}{0}$	25	4 $\frac{3}{4}$	25	4 $\frac{1}{1}$	25	11 $\frac{2}{2}$	25	11 $\frac{2}{2}$	25	11 $\frac{2}{2}$
15	11 $\frac{5}{8}$	15	17 $\frac{0}{0}$	19	12 $\frac{1}{2}$	19	9 $\frac{4}{12}$	22	9 $\frac{4}{10}$	24	7 $\frac{1}{6}$	24	7 $\frac{1}{6}$	24	9 $\frac{3}{4}$
16	15 $\frac{0}{0}$	16	13 $\frac{5}{4}$	20	16 $\frac{5}{10}$	20	13 $\frac{0}{2}$	22	16 $\frac{0}{0}$	24	9 $\frac{3}{4}$	24	9 $\frac{3}{4}$	24	9 $\frac{3}{4}$



VIETA				QUALIF.	1/4 F	1/2 F	REPECHAGE	FINAL
1	1	EETU TAMMELIN	FIN	BR.	1 $\frac{5}{6}$			B F 3-5
13	2	ERNESTS PIKŠENS	Kundz	BR.	2 $\frac{0}{0}$			8 $\frac{0}{3}$
11	3	NIKITA MOROZS	Kundz	3 $\frac{0}{0}$		10 $\frac{5}{0}$	12 $\frac{0}{5}$	17 $\frac{5}{7}$
9	4	VLADIMIRS IVANOVŠ	Kundz	4 $\frac{5}{6}$	4 $\frac{0}{2}$		15 $\frac{0}{2}$	6 $\frac{5}{7}$
3	5	ANDŽEJS LAPINSKIS	D-pils	5 $\frac{4}{10}$	5 $\frac{4}{6}$			
3	6	ASIFS MALOVŠ	Kundz	6 $\frac{0}{0}$				
8	7	ARTŪRS GRIGOROVĪČŠ	Jelg.n	BR.	7 $\frac{0}{5}$			
5	8	DOMENIKS STROGOĻEVŠ	Jelg.n	8 $\frac{4}{12}$	8 $\frac{4}{6}$			
10	9	ROLANDS ŠMITS	Kundz	9 $\frac{1}{2}$		11 $\frac{0}{4}$	13 $\frac{0}{5}$	A F 3-5
7	10	ALEKSANDRS BUNIKS	LSCSK	10 $\frac{5}{6}$			16 $\frac{0}{4}$	18 $\frac{5}{4}$
12	11	ALEKSANDRS JERIMEJEVS	Kundz	11 $\frac{0}{0}$	10 $\frac{0}{0}$		14 $\frac{5}{15}$	12 $\frac{0}{0}$
5	12	RAMA MARGIŠVILI	Augšd.n	12 $\frac{0}{0}$	13 $\frac{5}{9}$		10 $\frac{0}{12}$	
2	13	JOKUBAS VALINČIUS	LTU/Ras	13 $\frac{5}{4}$				



REPECHAGE results:

- 15 $\frac{0}{2}$ vs 16 $\frac{5}{2}$ → 17 $\frac{5}{7}$
- 19 $\frac{5}{3}$ vs 20 $\frac{0}{0}$ → 21 $\frac{0}{0}$



VIETA			QUALIF.	1/4 F	1/2 F	REPECHAGE	FINAL
5	1	GĻEBS ZALESKIS	Kundz	BR. 1 5 16	3 1 0 7 4 5 4 4	9 2 0 3 5 0	13 B F 3-5 1 0 0 3 4 10
8	2	MAKSIMS RADIŠEVSKIS	D-pils	BR. 2 0 9			
3	3	TRISTAN KIIPUS	EST/Vil	BR. 3 0 8	4 4 5 4 12	11 5 0 3 4 10	15 F 1-2 4 3 16 10 1 15
1	4	ANTON REINIKAINEN	FIN	4 5 4			
9	5	ROMĀNS KOVAĻEVS	Augšd.n	5 0 0	5 6 0 0	12 6 5 0 0	14 A F 3-5 7 5 0 6 0 0
5	6	ARTJOMS SVJATKINS	Kundz	BR. 6 0 0			
3	7	VADIMS OSMANIS	D-pils	BR. 7 5 10	8 7 0 0 10 5 0	10 9 0 0 8 5 0	12 8 0 0
7	8	RUSLANS NIKIFOROVS	Daugm.	BR. 8 0 4			
10	9	FELIKS ĒRKŠKIS	Kundz.	9 0 0	6 10 5 12	10 8 5 0	12 8 0 0
2	10	DANILA ČUBREVIČS	Krāslava	10 5 8			



VIETA			1/4F	1/2F	REPECHAGE	FINAL		
3	1	ALEKSAND. SAMUŠONOKS	Kundz	1 $\frac{4}{11}$	$\left. \begin{array}{l} 1 \ 0 \\ 3 \ 5 \\ 3 \ 2 \end{array} \right\}$	$\left. \begin{array}{l} 2 \ 5 \\ 4 \ 0 \end{array} \right\}$	$\left. \begin{array}{l} 2 \ 5 \\ 4 \ 0 \end{array} \right\}$	$\left. \begin{array}{l} B \ F \ 3-5 \\ 6 \ 5 \\ 2 \ 4 \\ 2 \ 0 \\ 2 \end{array} \right\}$
5	2	GATIS KALININS	Daugm.	2 $\frac{0}{0}$				
2	3	MAKSIMS ŠAPKINS	D-pils	3 $\frac{5}{4}$				
7	4	EMIĻS DIKAREVS	Kundz.	4 $\frac{0}{1}$				
5	5	ADRIĀNS SKROMANS	Augšd.n	5 $\frac{1}{1}$	$\left. \begin{array}{l} 6 \ 1 \\ 8 \ 3 \\ 8 \ 10 \end{array} \right\}$	$\left. \begin{array}{l} 5 \ 5 \\ 7 \ 0 \end{array} \right\}$	$\left. \begin{array}{l} 5 \ 5 \\ 7 \ 0 \end{array} \right\}$	$\left. \begin{array}{l} A \ F \ 3-5 \\ 1 \ 3 \\ 5 \ 1 \\ 5 \ 1 \end{array} \right\}$
3	6	SAULIUS PUTRIUS	LTU/Kla	3 $\frac{4}{12}$				
8	7	DAMENIKS NEVLEVS	D-pils	7 $\frac{0}{0}$				
1	8	DENAS UOKA	LTU/Kla	8 $\frac{5}{0}$				
					F 1-2	$\left. \begin{array}{l} 3 \ 0 \\ 8 \ 5 \\ 8 \ 2 \end{array} \right\}$	$\left. \begin{array}{l} 3 \ 0 \\ 8 \ 5 \\ 8 \ 2 \end{array} \right\}$	
						$\left. \begin{array}{l} 3 \ 0 \\ 8 \ 5 \\ 8 \ 2 \end{array} \right\}$	$\left. \begin{array}{l} 3 \ 0 \\ 8 \ 5 \\ 8 \ 2 \end{array} \right\}$	
						$\left. \begin{array}{l} 3 \ 0 \\ 8 \ 5 \\ 8 \ 2 \end{array} \right\}$	$\left. \begin{array}{l} 3 \ 0 \\ 8 \ 5 \\ 8 \ 2 \end{array} \right\}$	
						$\left. \begin{array}{l} 3 \ 0 \\ 8 \ 5 \\ 8 \ 2 \end{array} \right\}$	$\left. \begin{array}{l} 3 \ 0 \\ 8 \ 5 \\ 8 \ 2 \end{array} \right\}$	



VIETA

1	1	VITALIJS GALINIČEVS	Daugm.	2 $\frac{5}{0}$	3 $\frac{5}{0}$		$\frac{10}{0}$
3	2	KONSTANTINS MAKŅA	D-pils	1 $\frac{0}{0}$		3 $\frac{0}{0}$	$\frac{0}{0}$
2	3	OLAFS ZĪLĪTE	Kundz.		1 $\frac{0}{0}$	2 $\frac{5}{0}$	$\frac{5}{0}$



VIETA			1/4F	1/2F	REPECHAGE	FINAL	
3	1	DANIĒLS ŠIŠKO	LSCSK	1 $\frac{5}{8}$	5 $\frac{1}{0}$ $\frac{4}{5}$	7 $\frac{2}{0}$ $\frac{3}{5}$ $\frac{0}{4}$	9 $\frac{8}{0}$ $\frac{0}{0}$ 3
8	2	NIKITA VASIĻJEV	LTU/Kla	2 $\frac{0}{0}$			
3	3	AKIMS RODIČEVŠ	D-pils	3 $\frac{0}{0}$	6 $\frac{6}{5}$ $\frac{10}{10}$	8 $\frac{5}{5}$ $\frac{6}{6}$ $\frac{0}{0}$	10 $\frac{1}{5}$ $\frac{8}{8}$ $\frac{0}{0}$ 5
1	4	ARTYR KOSYNTSEV	EST/Vil	4			
5	5	OLAFS ZĪLĪTE	Kundz	5 $\frac{0}{0}$	6 $\frac{6}{5}$ $\frac{10}{10}$	8 $\frac{5}{5}$ $\frac{6}{6}$ $\frac{0}{0}$	11 $\frac{4}{3}$ $\frac{7}{7}$ $\frac{6}{0}$ $\frac{0}{0}$
2	6	RODIONS SERGEJEVS	Kundz	3 $\frac{4}{10}$			
7	7	MARATS TARANS	Kundz	7 $\frac{0}{0}$	6 $\frac{6}{5}$ $\frac{10}{10}$	8 $\frac{5}{5}$ $\frac{6}{6}$ $\frac{0}{0}$	10 $\frac{1}{5}$ $\frac{8}{8}$ $\frac{0}{0}$ 5
5	8	JAROSLAVS ŠILINS	D-pils	4 $\frac{4}{12}$			



			1/4F	1/2F	REPECHAGE	FINAL	
3	1	DANIILS ANTROPOV	LTU/Kla	1 $\frac{5}{0}$	5 $\frac{3}{10}$	7 $\frac{4}{0}$	9 $\frac{2}{0}$
5	2	MINGIIAN LIZINOV	Kundz	2 $\frac{0}{0}$			
2	3	MIHAILS GOLOVINS	Daugm	3 $\frac{5}{0}$			
7	4	VLADS AVLASINS	D-pils	4 $\frac{0}{0}$			
3	5	SIMAS PUTRIUS	LTU/Kla	5 $\frac{5}{2}$	6 $\frac{7}{6}$	8 $\frac{6}{0}$	10 $\frac{6}{0}$
5	6	DENISS VLASJUKS	Liepāja	3 $\frac{6}{0}$			
1	7	NIKITA SUŠKO	D-pils	7 $\frac{5}{0}$			
8	8	IĻJA BARANOVSKIS	D-pils	4 $\frac{8}{0}$			
					F 1-2	11 $\frac{7}{5}$	
						B $\frac{5}{0}$	
						A $\frac{1}{0}$	



VIETA

3	1	<u>DAVIDS ŠINDARS</u>	D-pils	2 $\frac{0}{0}$	3 $\frac{0}{0}$		$\frac{0}{0}$
1	2	<u>JURIJS ZVEREVS</u>	Kundz	1 $\frac{5}{0}$		3 $\frac{5}{6}$	$\frac{10}{6}$
2	3	<u>RALFS RIČ. KREITENBERGS</u>	Bauska		1 $\frac{5}{0}$	2 $\frac{0}{0}$	$\frac{5}{0}$



VIETA

1	ARMANDAS NUMSĒDIS	LTU/Jon	$\frac{3}{3}$
2	ARMANDAS KULEVIČIUS	LTU/Jon	$\frac{1}{1}$



VIETA

1	DAVIDS DUSINS	Kundz	$\frac{5}{2}$
2	KONSTANTINS ALEKSEJEVS	Kundz	$\frac{0}{0}$

+76

2011
FS

28. STARPTAUTISKĀS K.KUNDZIŅA KAUSA IZCĪŅAS SACENSĪBAS
RĪGA. 4.11.2023.



VIETA

1	TOMASS ĻEĢAJEVS	ĶekSS
---	-----------------	-------

45

2007
GR-R

28. STARPTAUTISKĀS K.KUNDZIŅA KAUSA IZCĪŅAS SACENSĪBAS
RĪGA. 4.11.2023.



VIETA

1	NIKITA PAPUŠA	Liepāja
---	---------------	---------



VIETA

3	1	ŽANS MEŠKIS	Liepāja	$2 \frac{0}{4}$	$3 \frac{1}{2}$		$\frac{1}{6}$
1	2	IĻJA KOĻAKO	Kundz	$1 \frac{5}{4}$		$3 \frac{5}{5}$	$\frac{10}{9}$
2	3	KIRILLS MAZAEVS	Daugm		$1 \frac{4}{10}$	$2 \frac{0}{2}$	$\frac{4}{12}$



VIETA

2	1	ZAHARS SIDOROVŠ	Kundz	$2\frac{5}{4}$	$3\frac{5}{2}$	$4\frac{0}{0}$	$\frac{10}{6}$
3	2	ARTJOMS UPENIEKS	D-pils	$1\frac{0}{6}$	$4\frac{0}{0}$	$3\frac{5}{8}$	$\frac{5}{14}$
4	3	ALEKSANDRS ZAHAROVŠ	Daugm	$4\frac{0}{0}$	$1\frac{0}{0}$	$2\frac{0}{1}$	$\frac{0}{1}$
1	4	DMYTRO KUKHARENKO	LTU/Šau	$3\frac{5}{4}$	$2\frac{5}{8}$	$1\frac{5}{4}$	$\frac{15}{16}$



VIETA

2	1	<u>ARSENS BURKEVIČS</u>	D-pils	$2\frac{5}{8}$	$3\frac{4}{8}$		$\frac{9}{16}$	
3	2	<u>VILIUS VASILIAUSKAS</u>	LTU/Kla	$1\frac{0}{0}$		$3\frac{5}{4}$	$\frac{5}{4}$	$1\frac{0}{0}$
7	3	<u>VLADIMIRS DUBICKIS</u>	D-pils		$1\frac{0}{0}$	$2\frac{0}{0}$	$\frac{0}{0}$	
3	4	<u>MAKSIMS BELOVS</u>	Rēzekne	$5\frac{5}{6}$	$6\frac{0}{0}$	$7\frac{4}{10}$	$\frac{9}{16}$	FINAL
5	5	<u>DANIILS MOISEJEVS</u>	Kundz	$4\frac{0}{3}$	$7\frac{4}{11}$	$6\frac{0}{0}$	$\frac{4}{14}$	
1	6	<u>GIORGI SHENGELIA</u>	GEO/Tbl	$7\frac{4}{11}$	$4\frac{4}{9}$	$5\frac{4}{8}$	$\frac{12}{28}$	$6\frac{4}{9}$
6	7	<u>ALEKSANDRS MOISEJEVS</u>	Kundz	$6\frac{0}{0}$	$5\frac{1}{1}$	$4\frac{0}{0}$	$\frac{1}{1}$	



VIETA

3	1	EMĪLS VILTRAKIS	Liepāja	$2\frac{0}{0}$	$5\frac{5}{5}$	$4\frac{0}{6}$	$3\frac{0}{0}$		$\frac{5}{11}$
1	2	JAROMIRS ŽUKOVŠ	Rēzekne	$1\frac{4}{9}$	$3\frac{4}{9}$	$5\frac{5}{8}$		$4\frac{4}{9}$	$\frac{17}{35}$
4	3	ERIKS ZILNIEKS	Daugm	$4\frac{0}{0}$	$2\frac{0}{0}$		$1\frac{5}{4}$	$5\frac{0}{0}$	$\frac{5}{4}$
2	4	DMITRIJS FEDIČEVŠ	Kundz	$3\frac{4}{9}$		$1\frac{5}{10}$	$5\frac{5}{6}$	$2\frac{0}{0}$	$\frac{14}{25}$
5	5	ALEKSANDRS LAPŠINS	D-pils		$1\frac{0}{0}$	$2\frac{0}{2}$	$4\frac{0}{6}$	$3\frac{4}{8}$	$\frac{4}{16}$



VIETA			QUALIF.	1/4 F	1/2 F	REPECHAGE	FINAL
1	1	KIRILS ŽIVKOVŠ	Rēzekne	BR.	1 4/8		
3	2	OLIVERS IRKLIS	Liepāja	BR.	2 0/0		
3	3	STANISLAVS VERDIŅŠ	D-pils	BR.	3 5/4		
8	4	OLEKSANDR KOSYNTSEV	EST/Vil	4 4/9	5 4/0		
9	5	DMITRIJS PROHOROVŠ	Liepāja	5 1/1	4 0/0		
5	6	ADRIANS DUDA	Daugm	BR.	6 4/8		
7	7	VIJAMAS LAUCIUS	LTU/Pan	BR.	7 0/0		
11	8	IĻJA ARHIPOVS	Kundz	8 0/0	9 0/0		
2	9	GĻEBS ZAICEVS	D-pils	9 5/4	9 3/8		
10	10	JĀNIS LOČMELIS	Balvi	10 0/0	11 1/7		
5	11	DMITRIJS BOGAKS	Daugm	11 4/8			

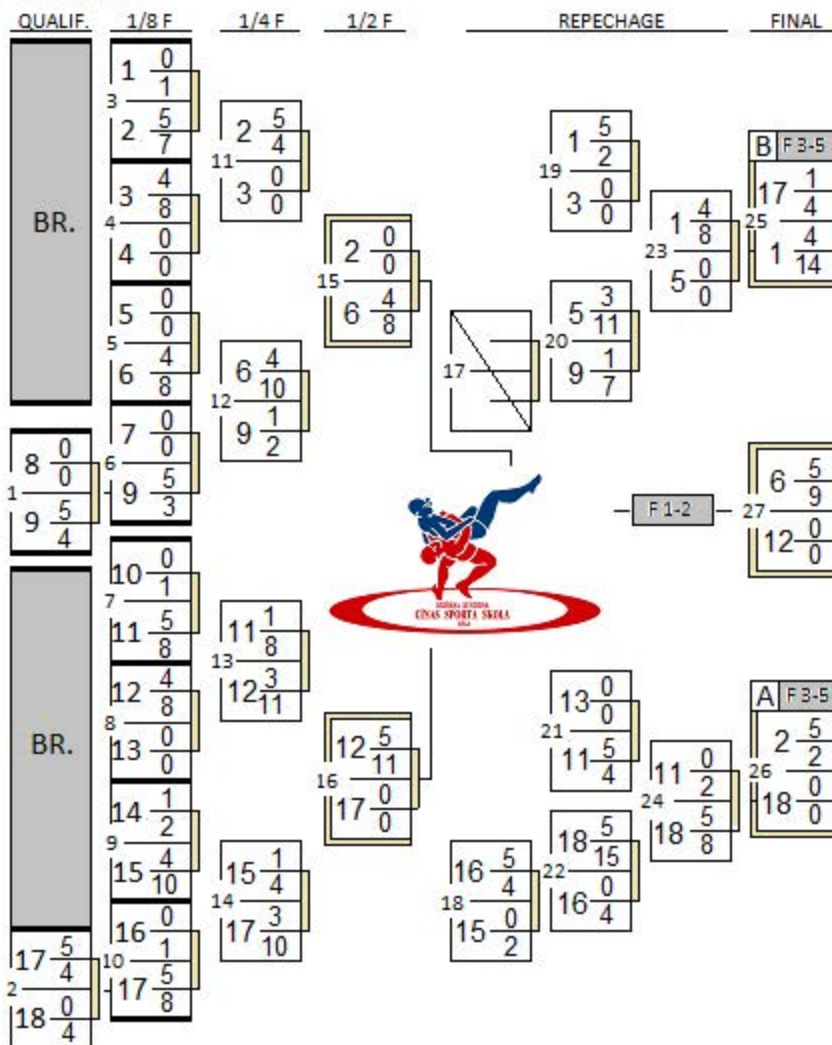
REPECHAGE	FINAL
10	B F3-5
12	6 0/6
12	2 4/10
12	4 0/0
14	2 5/4
F 1-2	1 4/8
16	9 0/0
11	A F3-5
13	3 5/8
13	11 3/10
13	7 1/6
15	11 0/0

28.STARPTAUTISKĀS K.KUNDZIŅA KAUSA IZCĪNAS SACENSĪBAS
RĪGA. 4.11.2023.

VIETA

3	1	VALTERS ZAČS	Balvi
3	2	ANTONS MEINARTS	D-pils
10	3	ARTEMIJS HUDOŽILOVS	Daugm
15	4	EMĪLS ANDŽĀNS	Kundz
11	5	TAJUS VAIČAITIS	LTU/Mar
1	6	ARNAS KAVALIAUSKAS	LTU/Kau
16	7	JEVGENIJS JEGOROVS	Kundz
17	8	RENAT SHAKHBAZOV	EST/Vil
7	9	TONIS VAITKEVIČIUS	LTU/Pan

13	10	ALEKSANDRE SHELIDZE	GEO/Tbl
8	11	ARTŪRS BELOUSS	D-pils
2	12	RIČIJS ŽALIMS	Liepāja
18	13	DANIĻA BĻINOVS	Liepāja
12	14	NIKOLAJS ŠABANOVS	Kundz
9	15	DANIILS LISKOVECS	Kundz
14	16	NIKITA JACENKO	Liepāja
5	17	KERNIUS ČERKAUSKAS	LTU/Pan
5	18	EMĪLS SOLOVJOVS	Liepāja





VIETA

1	1	<u>JEVĢENIJ BILENKO</u>	LTU/Šau	2 $\frac{5}{0}$	3 $\frac{3}{9}$		$\frac{8}{9}$	1 $\frac{3}{1}$
7	2	<u>KIRILLS JEVLAMPIEVS</u>	FreeZone	1 $\frac{0}{0}$		3 $\frac{0}{0}$	$\frac{0}{0}$	
3	3	<u>JULIUS GIKARAS</u>	LTU/Kla		1 $\frac{1}{1}$	2 $\frac{5}{0}$	$\frac{6}{1}$	
3	4	<u>NEILAS STANIŠAUSKAS</u>	LTU/Kla	5 $\frac{4}{15}$	6 $\frac{5}{3}$	7 $\frac{0}{0}$	$\frac{9}{18}$	FINAL
5	5	<u>DENISS MOISEJENKO</u>	Liepāja	4 $\frac{1}{4}$	7 $\frac{0}{0}$	6 $\frac{5}{0}$	$\frac{6}{4}$	
6	6	<u>VILIUS ČEREŠKA</u>	LTU/Jon	7 $\frac{0}{0}$	4 $\frac{0}{0}$	5 $\frac{0}{0}$	$\frac{0}{0}$	2 $\frac{1}{1}$
2	7	<u>ALEKSEJS REUTS</u>	Kundz	6 $\frac{4}{9}$	5 $\frac{4}{8}$	4 $\frac{4}{8}$	$\frac{12}{25}$	



VIETA

3	1	<u>NIKOLAJS MARCINKEVIČS</u>	Daugm	$2\frac{5}{4}$	$3\frac{0}{5}$		$\frac{5}{9}$	
7	2	<u>ARTJOMS JERMOLINS</u>	Liepāja	$1\frac{0}{0}$		$3\frac{0}{0}$	$\frac{0}{0}$	$3\frac{0}{0}$
2	3	<u>UGNIUS ČIŽIŪNAS</u>	LTU/Pan		$1\frac{5}{6}$	$2\frac{5}{4}$	$\frac{10}{10}$	
6	4	<u>EDGARAS NORVAIŠAS</u>	LTU/Jon	$5\frac{0}{0}$	$6\frac{0}{1}$	$7\frac{0}{0}$	$\frac{0}{1}$	FINAL
3	5	<u>PAVELS SOKURENKO</u>	Kundz	$4\frac{5}{2}$	$7\frac{0}{0}$	$6\frac{3}{3}$	$\frac{8}{5}$	
5	6	<u>ERIKAS MAŽEIKA</u>	LTU/Jon	$7\frac{0}{0}$	$4\frac{5}{2}$	$5\frac{1}{1}$	$\frac{6}{3}$	$7\frac{4}{9}$
1	7	<u>ILLIA BURYSHEV</u>	LTU/Šau	$6\frac{4}{9}$	$5\frac{5}{4}$	$4\frac{5}{0}$	$\frac{14}{13}$	



VIETA

2	1	<u>MILVIDAS MULERAVIČIUS</u>	LTU/Kau	$2\frac{3}{3}$	$3\frac{4}{10}$		$\frac{7}{13}$	1 $\frac{1}{1}$
3	2	<u>IVANS BEĻAJEVS</u>	Rēzekne	$1\frac{0}{0}$		$3\frac{5}{8}$	$\frac{5}{8}$	
6	3	<u>ANTONS KĻEJENKOVŠ</u>	Liepāja		$1\frac{1}{2}$	$2\frac{0}{0}$	$\frac{1}{2}$	
3	4	<u>TIMURS ŠPEĻNOVS</u>	Rēzekne	$5\frac{0}{0}$	$6\frac{5}{4}$	$7\frac{5}{0}$	$\frac{10}{4}$	FINAL
1	5	<u>DANYLO SOLOVEY</u>	UKR/Vin	$4\frac{5}{4}$	$7\frac{5}{0}$	$6\frac{5}{10}$	$\frac{15}{14}$	
5	6	<u>MAKSIMS NEIJADOMSKIS</u>	Rēzekne	$7\frac{5}{0}$	$4\frac{0}{0}$	$5\frac{0}{0}$	$\frac{5}{0}$	5 $\frac{3}{10}$
7	7	<u>URHO SUSI</u>	FIN	$6\frac{0}{0}$	$5\frac{0}{0}$	$4\frac{0}{0}$	$\frac{0}{0}$	

44

2009
GR-R28. STARPTAUTISKĀS K.KUNDZIŅA KAUSA IZCĪŅAS SACENSĪBAS
RĪGA. 4.11.2023.

VIETA

1	ROMĀNS KAĻMUKS	Saldus
---	----------------	--------



VIETA				QUALIF.	1/4 F	1/2 F	REPECHAGE	FINAL
8	1	DANILA ZAHAROVŠ	Daugm	BR.	1 $\frac{0}{0}$			
2	2	ANDREJS HUDJAKOVŠ	Liepāja	BR.	2 $\frac{5}{4}$	2 $\frac{3}{11}$		
9	3	RIHARDS SOKOLOVŠ	Liepāja	BR.	3 $\frac{0}{4}$	5 $\frac{1}{4}$		
5	4	ROMĀNS KAĻMUKŠ	Saldus	4 $\frac{0}{0}$	5 $\frac{5}{4}$			
3	5	GĻEBS RUBĻOVŠ	Rēzekne	1 $\frac{5}{4}$	5 $\frac{5}{4}$			
1	6	MYKOLAS KAZĒNAS	LTU/Pan	BR.	6 $\frac{4}{10}$			
11	7	ALEKSANDRS NOVIKOVŠ	Liepāja	BR.	7 $\frac{0}{0}$	6 $\frac{3}{6}$		
5	8	ARTEM YANKOVYY	UKR/Vin	8 $\frac{0}{0}$	9 $\frac{1}{5}$			
3	9	NOJUS KLIŠYS	LTU/Pan	2 $\frac{5}{4}$	9 $\frac{4}{8}$			
7	10	ALLANS KLAUCENS	FreeZone	10 $\frac{5}{9}$	10 $\frac{0}{0}$			
10	11	RAIVO OPAĻKO	Ādaži	3 $\frac{0}{2}$	11 $\frac{0}{2}$			
							10 $\frac{4}{8}$	B $\frac{4}{8}$
							12 $\frac{5}{2}$	14 $\frac{0}{0}$
							1 $\frac{0}{0}$	4 $\frac{0}{0}$
							3 $\frac{0}{0}$	1 $\frac{0}{0}$
								F 1-2
								16 $\frac{0}{8}$
								A $\frac{3}{5}$
								15 $\frac{1}{6}$
								5 $\frac{3}{12}$
								8 $\frac{1}{6}$
							11 $\frac{0}{8}$	10 $\frac{0}{0}$
							8 $\frac{4}{8}$	8 $\frac{5}{0}$
								13 $\frac{0}{0}$



VIETA

2	1	VAKARIS ŠAKĒNAS	LTU/Pan	2 $\frac{3}{7}$	3 $\frac{4}{14}$		$\frac{7}{21}$	
3	2	DANIELIUS ŠEŠKEVIČIUS	LTU/Kla	1 $\frac{1}{3}$		3 $\frac{4}{8}$	$\frac{5}{11}$	1 $\frac{0}{0}$
6	3	NIKITA SMIRNOVAS	LTU/Pan		1 $\frac{1}{5}$	2 $\frac{0}{0}$	$\frac{1}{5}$	
5	4	DMITRIJS ZITNEVS	Daugm	5 $\frac{0}{0}$	6 $\frac{0}{0}$	7 $\frac{4}{9}$	$\frac{4}{9}$	FINAL
3	5	RONALDAS POGOŽELSKIS	LTU/Kau	4 $\frac{4}{8}$	7 $\frac{4}{8}$	6 $\frac{0}{0}$	$\frac{8}{16}$	6 $\frac{4}{8}$
1	6	NIKITA BULOVS	Kundz	7 $\frac{5}{4}$	4 $\frac{4}{8}$	5 $\frac{5}{8}$	$\frac{14}{20}$	
7	7	JEGORS RAKICKIJS	Daugm	6 $\frac{0}{0}$	5 $\frac{0}{0}$	4 $\frac{0}{0}$	$\frac{0}{0}$	



VIETA			1/4F	1/2F	REPECHAGE	FINAL	
1	1	ROMAN ZADOROZHNYI	UKR/Vin	1 $\frac{4}{10}$	5 $\frac{1}{12}$ $\frac{3}{2}$	7 $\frac{2}{2}$ $\frac{4}{8}$	B F 3-5 8 $\frac{4}{10}$ 4 $\frac{1}{2}$
7	2	KRISTAPS FRANCIS	Liepāja	2 $\frac{0}{0}$			
3	3	JURUS MARKAS	LTU/Pan	3 $\frac{5}{6}$			
5	4	KIRILS PLEPIS	D-pils	4 $\frac{0}{0}$			
2	5	ARKĀDIJS KRUPSKIS	D-pils	5 $\frac{5}{4}$	6 $\frac{5}{4}$ $\frac{8}{0}$	8 $\frac{6}{0}$ $\frac{7}{2}$	F 1-2 11 $\frac{1}{8}$ 5 $\frac{0}{0}$
8	6	MIHAILS FILA	Daugm	3 $\frac{0}{2}$			
5	7	DOMAS ABROMAVIČIUS	LTU/Jon	7 $\frac{0}{0}$			
3	8	TEODORAS VINCIUNAS	LTU/Jon	4 $\frac{4}{9}$			
							A F 3-5 3 $\frac{5}{10}$ 7 $\frac{0}{0}$



VIETA

3	1	<u>ARTURS VEIDMANIS</u>	Ādaži	$2\frac{5}{6}$	$3\frac{0}{6}$		$\frac{5}{12}$	
6	2	<u>KRISTERS JURDŽS</u>	Ādaži	$1\frac{0}{0}$		$3\frac{0}{0}$	$\frac{0}{0}$	$3\frac{5}{8}$
1	3	<u>ALEKS KĻAVA</u>	Liepāja		$1\frac{5}{6}$	$2\frac{5}{4}$	$\frac{10}{10}$	
3	4	<u>IĻJA ONDŽUĻS</u>	Rēzekne	$5\frac{5}{4}$	$6\frac{0}{0}$	$7\frac{3}{6}$	$\frac{8}{10}$	FINAL
7	5	<u>IĻJA KUZMENKO</u>	Liepāja	$4\frac{0}{0}$	$7\frac{0}{0}$	$6\frac{0}{0}$	$\frac{0}{0}$	
2	6	<u>LUKAS JANUŠKEVIČIUS</u>	LTU/Kau	$7\frac{4}{10}$	$4\frac{5}{2}$	$5\frac{5}{6}$	$\frac{14}{18}$	$6\frac{0}{6}$
5	7	<u>MATAS LADYGA</u>	LTU/Pan	$6\frac{1}{2}$	$5\frac{5}{4}$	$4\frac{1}{3}$	$\frac{7}{9}$	



VIETA			1/4F	1/2F	REPECHAGE	FINAL											
8	1	OSKARS CINIS	Liepāja	1 0 0	<table border="1"> <tr> <td>2 0</td> <td>0</td> </tr> <tr> <td>4 4</td> <td>8</td> </tr> </table>	2 0	0	4 4	8	<table border="1"> <tr> <td>B F 3-5</td> <td>6 1</td> <td>8</td> </tr> <tr> <td>9</td> <td>3</td> <td>10</td> </tr> </table>	B F 3-5	6 1	8	9	3	10	
2 0	0																
4 4	8																
B F 3-5	6 1	8															
9	3	10															
3	2	MAKSIMS VREŠČS	D-pils	2 0 0	<table border="1"> <tr> <td>1 0</td> <td>0</td> </tr> <tr> <td>3 5</td> <td>0</td> </tr> </table>	1 0	0	3 5	0	<table border="1"> <tr> <td>4 0</td> <td>0</td> </tr> <tr> <td>8 4</td> <td>10</td> </tr> </table>	4 0	0	8 4	10			
1 0	0																
3 5	0																
4 0	0																
8 4	10																
3	3	TADAS ABRAMAVIČIUS	LTU/Mar	3 0 0	<table border="1"> <tr> <td>7</td> <td>1 0</td> <td>0</td> </tr> <tr> <td>3 5</td> <td>0</td> </tr> </table>	7	1 0	0	3 5	0	<table border="1"> <tr> <td>A F 3-5</td> <td>2 5</td> <td>4</td> </tr> <tr> <td>10</td> <td>7 0</td> <td>0</td> </tr> </table>	A F 3-5	2 5	4	10	7 0	0
7	1 0	0															
3 5	0																
A F 3-5	2 5	4															
10	7 0	0															
2	4	KRISTAPS PURIŅŠ	Ausekl	4 5 0	<table border="1"> <tr> <td>F 1-2</td> <td>11</td> <td>4 0</td> <td>0</td> </tr> <tr> <td></td> <td></td> <td>8 4</td> <td>10</td> </tr> </table>	F 1-2	11	4 0	0			8 4	10				
F 1-2	11	4 0	0														
		8 4	10														
7	5	ERIKS JEKABSONS	Kundz	5 0 0	<table border="1"> <tr> <td>6 1</td> <td>6</td> </tr> <tr> <td>8 4</td> <td>14</td> </tr> </table>	6 1	6	8 4	14	<table border="1"> <tr> <td>8</td> <td>5 0</td> <td>0</td> </tr> <tr> <td>7 5</td> <td>4</td> </tr> </table>	8	5 0	0	7 5	4		
6 1	6																
8 4	14																
8	5 0	0															
7 5	4																
5	6	DANIELS LOGINS	Balvi	6 4 11	<table border="1"> <tr> <td>6 1</td> <td>6</td> </tr> <tr> <td>8 4</td> <td>14</td> </tr> </table>	6 1	6	8 4	14								
6 1	6																
8 4	14																
5	7	LEO ASKOLDS VALBIS	Kundz	7 0 0	<table border="1"> <tr> <td>8</td> <td>5 0</td> <td>0</td> </tr> <tr> <td>7 5</td> <td>4</td> </tr> </table>	8	5 0	0	7 5	4							
8	5 0	0															
7 5	4																
1	8	MARVINS HARTMANIS	Saldus	8 4 8													



VIETA

1	1	<u>LASHA GIORGI GOGITIDZE</u>	GEO/Tbi	$2\frac{4}{9}$	$3\frac{4}{8}$	$4\frac{4}{8}$	$\frac{12}{25}$
3	2	<u>MAKSIMS KIJKO</u>	Daugm	$1\frac{0}{0}$	$4\frac{3}{13}$	$3\frac{1}{1}$	$\frac{4}{14}$
2	3	<u>OLGERDAS ČESNULEVIČIUS</u>	LTU/Vln	$4\frac{4}{10}$	$1\frac{0}{0}$	$2\frac{4}{10}$	$\frac{8}{20}$
4	4	<u>BORIS RASČOSOVŠ</u>	Rēzekne	$3\frac{1}{1}$	$2\frac{1}{10}$	$1\frac{0}{0}$	$\frac{2}{11}$

85+

2009
GR-R28. STARPTAUTISKĀS K.KUNDZIŅA KAUSA IZCĪŅAS SACENSĪBAS
RĪGA. 4.11.2023.

VIETA

1	VIESTURS KILĶENS	Saldus	$\frac{4}{8}$
2	IĻJA SAHAROVS	Rēzekne	$\frac{0}{0}$

RĪGA. 4.11.2023.

VIETA				QUALIF.	1/8 F	1/4 F	1/2 F	REPECHAGE	FINAL
5	1	ZHERDETSKYI KYRYLO	LTU/Kla	BR.	1 $\frac{5}{8}$				
15	2	ERNESTS TRĒDE	Saldus	BR.	2 $\frac{0}{0}$	1 $\frac{0}{0}$			
3	3	TIMURS NEGREJEVS	Rēzekne	BR.	3 $\frac{4}{8}$	3 $\frac{5}{2}$		17 $\frac{4}{0}$ 1 $\frac{5}{4}$	B F3-5 23 $\frac{14}{6}$ 1 $\frac{5}{0}$
17	4	PAVELS ERASTOVS	D-pils	BR.	4 $\frac{0}{0}$		14 $\frac{3}{0}$ 8 $\frac{4}{8}$	21 $\frac{1}{4}$ 7 $\frac{0}{0}$	
8	5	RODRIGO STRJUKS	Liepāja	BR.	5 $\frac{5}{8}$			18 $\frac{7}{5}$ 5 $\frac{0}{10}$	
11	6	MAKSIMS SAVEĻJEVS	Kundz	BR.	6 $\frac{0}{2}$	5 $\frac{0}{0}$			
9	7	OIVA SUSI	FIN	BR.	7 $\frac{0}{1}$	8 $\frac{4}{8}$			
1	8	IVAN AGAFONOV	LTU/Kla	BR.	8 $\frac{5}{2}$				F1-2 25 $\frac{8}{6}$ 12 $\frac{0}{0}$
5	9	DEMIDS PIMANOVS	D-pils	BR.	9 $\frac{5}{4}$				
14	10	KURTS KICS	Kundz	BR.	10 $\frac{0}{0}$	9 $\frac{0}{0}$			
16	11	GEORGIJS ZITNEVS	Daugm	BR.	11 $\frac{0}{0}$	12 $\frac{4}{10}$			
2	12	DAVIDS KATUOVSKIS	Rēzekne	BR.	12 $\frac{4}{8}$		15 $\frac{12}{4}$ 14 $\frac{1}{3}$	19 $\frac{11}{0}$ 9 $\frac{4}{8}$	A F3-5 24 $\frac{3}{4}$ 9 $\frac{0}{0}$
12	13	MARTINS RINO FREJSLERS	Kundz	BR.	13 $\frac{0}{0}$				
3	14	DOMINYKAS TAMALIŪNAS	LTU/Mar	BR.	14 $\frac{4}{8}$	14 $\frac{3}{5}$			
10	15	VIKTORS IVANOVS	LTU/Vil	BR.	15 $\frac{0}{0}$	16 $\frac{1}{3}$			
7	16	ALEKSANDRS NOVIKOVS	D-pils	BR.	16 $\frac{5}{2}$	16 $\frac{5}{2}$			
13	17	AIRONAS RAČKAUSKIS	LTU/Jon	BR.	17 $\frac{0}{0}$				





VIETA				QUALIF.	1/4 F	1/2 F	REPECHAGE	FINAL	
9	1	ROMUALDS PASTORS	D-pils	BR.	1 0 0	$\left[\begin{array}{c} 2 \ 1 \\ 4 \end{array} \right]$ $\left[\begin{array}{c} 3 \ 3 \\ 6 \end{array} \right]$	$\left[\begin{array}{c} 1 \ 0 \\ 0 \end{array} \right]$ $\left[\begin{array}{c} 4 \ 5 \\ 0 \end{array} \right]$	$\left[\begin{array}{c} B \ F3-5 \\ 6 \ 4 \\ 8 \end{array} \right]$ $\left[\begin{array}{c} 4 \ 0 \\ 0 \end{array} \right]$	
3	2	KRISTAPS LAUGALIS	Liepāja	BR.	2 5 2 8				
1	3	ARTUR KARPENKO	UKR/Vin	BR.	3 5 3 5				
5	4	KRISTIĀNS SOKOLOVS	Liepāja	BR.	4 0 4 0				
5	5	RAČISLAVS ANDRUŠKEVIČS	Liepāja	BR.	5 0 5 0	$\left[\begin{array}{c} 6 \ 0 \\ 0 \end{array} \right]$ $\left[\begin{array}{c} 7 \ 4 \\ 8 \ 8 \end{array} \right]$	$\left[\begin{array}{c} F1-2 \\ 3 \ 4 \\ 10 \end{array} \right]$ $\left[\begin{array}{c} 8 \ 0 \\ 0 \end{array} \right]$		
3	6	ROBERTS KĻAVA	Liepāja	BR.	6 5 6 4				
7	7	ŽANIS POLIS	Liepāja	BR.	7 0 7 0				
2	8	ORESTAS STAKENAS	LTU/Vil	8 5 8 2					
8	9	RAIVO LEJA	Saldus	9 0 9 0					
							$\left[\begin{array}{c} 5 \ 4 \\ 8 \ 8 \end{array} \right]$ $\left[\begin{array}{c} 7 \ 0 \\ 0 \end{array} \right]$	$\left[\begin{array}{c} 9 \ 0 \\ 0 \end{array} \right]$ $\left[\begin{array}{c} 5 \ 5 \\ 4 \end{array} \right]$	$\left[\begin{array}{c} A \ F3-5 \\ 2 \ 4 \\ 16 \end{array} \right]$ $\left[\begin{array}{c} 5 \ 1 \\ 6 \end{array} \right]$



VIETA

1	1	<u>KIRIL KLOPOV</u>	LTU/Kla	2 $\frac{4}{9}$	3 $\frac{4}{8}$		—	
6	2	<u>EETU TAMMELIN</u>	FIN	1 $\frac{0}{0}$		3 $\frac{0}{0}$	—	1 $\frac{4}{8}$
3	3	<u>TIMURS BURLAK-BURLAKOVS</u>	D-pils		1 $\frac{0}{0}$	2 $\frac{4}{4}$	—	
5	4	<u>ANDRIUKAITIS JUSTAS</u>	LTU/Mor	5 $\frac{0}{0}$	6 $\frac{4}{8}$	7 $\frac{0}{0}$	—	FINAL
3	5	<u>SERAFIMS DUBINOVŠ</u>	D-pils	4 $\frac{5}{0}$	7 $\frac{0}{0}$	6 $\frac{4}{8}$	—	7 $\frac{0}{0}$
7	6	<u>URHO SUSI</u>	FIN	7 $\frac{0}{0}$	4 $\frac{0}{0}$	5 $\frac{0}{0}$	—	
2	7	<u>ARENTAS STAKENAS</u>	LTU/Vln	6 $\frac{5}{0}$	5 $\frac{5}{8}$	4 $\frac{4}{5}$	—	



VIETA			QUALIF.	1/4 F	1/2 F	REPECHAGE	FINAL
13	1	ANTON REINIKAINEN	FIN	BR.			
5	2	ARMINAS GARNYS	LTU/Pan	2 0 0 0	1 0 0 0		
1	3	POVILAS ŠEŠKEVIČIUS	LTU/Kla	1 5 3 3	3 8 4 8		
10	4	MATAS PETROVAS	LTU/Mar	4 1 4 4	3 8 4 4		
7	5	GLEBS BARTKEVIČS	Rēzekne	2 3 5 9	5 0 0 0		
5	6	JORENS KIREJEVS	Rēzekne	6 5 6 8	6 5 6 4		
11	7	VIKTORS JEGOROVS	Kundz	3 0 7 7			
14	8	FILIPS ELIASS CIGANOVS	Liepāja	BR.			
3	9	IĻJA ALEKSANDROVS	D-pils	9 5 9 6	8 0 0 0		
8	10	ERNESTS CERNEKOVS	Daugm	4 0 10 3	9 5 9 4		
12	11	MAKSIMS KAČURINS	Rēzekne	11 0 11 0	9 0 0 0		
9	12	ALEKSANDER LEBEDENKA	LTU/Pan	5 5 12 4	12 0 0 0		
3	13	MARTINS PETROVIČS	D-pils	13 0 13 1	14 5 14 4		
2	14	MOTIJAUSKAS BENAS	LTU/Kla	6 5 14 8			

13	2 5 5 5	17	2 4 8 8	19	B/F 3-5 9 5 2 0 4 4	
14	7 0 5 0	8	5 0 0 0			
				F1-2	21	3 3 8 8 14 1 1 1
15	10 5 8 0	10	10 0 0 0	20	A/F 3-5 6 0 4 4 13 5 9 9	
16	13 5 12 0	18	13 5 0 0			



VIETA			QUALIF.	1/4 F	1/2 F	REPECHAGE	FINAL
3	1	SAJAN POTAPENKO	LTU/Kla	BR. 1 4 8	7 1 0 5 4 8	9 2 0 3 5 0	13 1 4 3 0 8
8	2	JEGORS KOMARS	D-pils	BR. 2 0 0			
5	3	RALFS BOTSMANIS	Saldus	BR. 3 0 0	8 6 1 10 3 4	10 7 0 8 5 0	14 6 0 8 4 8
9	4	KIRILS BOGDANOVŠ	Rēzekne	4 0 0			
1	5	MAKSIMS GORELIKS	LTU/Vln	5 4 8	15 5 5 10 0 8	12 9 0 8 5 0	15 5 5 10 0 8
5	6	RIHARDS VARDŽIKS	D-pils	BR. 6 5 4			
10	7	IVANS SIMONENKO	Kundz	BR. 7 0 0	10 10 5 5	10 7 0 8 5 0	14 6 0 8 4 8
3	8	NIKITA KONDRATJEVS	D-pils	BR. 8 0 0			
7	9	GABRIELS HIŠOVŠ	D-pils	9 0 2	10 10 5 5	10 7 0 8 5 0	14 6 0 8 4 8
2	10	ROKAS JANAUŠKAS	LTU/Pan	10 5 8			



VIETA

3	1	JĀNIS VILNIS	Saldus	$2\frac{5}{8}$	$3\frac{1}{3}$	$4\frac{0}{0}$	$\frac{6}{11}$
4	2	BENAS LIPASLAUSKAS	LTU/Mar	$1\frac{0}{4}$	$4\frac{0}{0}$	$3\frac{0}{0}$	$\frac{0}{4}$
2	3	VLADISLAVS SUVOROVS	Rēzekne	$4\frac{0}{0}$	$1\frac{3}{4}$	$2\frac{4}{8}$	$\frac{7}{12}$
1	4	AIRONAS MIGANOVIČ	LTU/Pan	$3\frac{4}{8}$	$2\frac{4}{8}$	$1\frac{4}{8}$	$\frac{12}{24}$



VIETA				QUALIF.	1/4 F	1/2 F	REPECHAGE	FINAL	
9	1	GĻEBŠ VOITOVŠ	D-pils	BR.	1 $\frac{0}{0}$	6 $\frac{5}{4}$	9 $\frac{1}{0}$ 4 $\frac{5}{0}$	B $\frac{6}{4}$ 8 $\frac{0}{0}$	
1	2	ARTUR KOSYNTSEV	EST/Vil	BR.	2 $\frac{5}{5}$			11 $\frac{4}{0}$ 0 $\frac{0}{0}$	
3	3	DOMINIKS PRIKULIS	Daugm	BR.	3 $\frac{5}{4}$			13 $\frac{2}{8}$ 8 $\frac{0}{0}$	
5	4	PIJUS BAREIŠA	LTU/Kau	BR.	4 $\frac{0}{0}$				A $\frac{3}{3}$ 8 $\frac{4}{8}$
7	5	SANDIS GEROVIČS	D-pils	BR.	5 $\frac{0}{0}$	7 $\frac{6}{8}$ 5 $\frac{4}{4}$	10 $\frac{9}{5}$ 5 $\frac{0}{0}$	12 $\frac{3}{9}$ 8 $\frac{4}{0}$	
3	6	MATVIJ PLAKHOTNIK	UKR/Vin	BR.	6 $\frac{4}{8}$			8 $\frac{5}{4}$	
8	7	AILANAS ANDRULIS	LTU/Vln	BR.	7 $\frac{0}{0}$				8 $\frac{5}{0}$ 7 $\frac{0}{0}$
2	8	ARTŪRS TRAŠKOVŠ	D-pils	8 $\frac{5}{12}$	1 $\frac{9}{0}$ 2 $\frac{0}{2}$				
5	9	ARTJOMS BAŽENOVŠ	Liepāja	9 $\frac{0}{2}$					

28. STARPTAUTISKĀS K.KUNDZIŅA KAUSA IZCĪNAS SACENSĪBAS
RĪGA. 4.11.2023.

VIETA

2	1	<u>VLADISLAVS RUMJANCEVS</u>	Rēzekne	2 $\frac{4}{8}$	3 $\frac{4}{8}$		$\frac{8}{16}$	
5	2	<u>ARTEMIJS DUBČAKS</u>	Daugm	1 $\frac{0}{0}$		3 $\frac{0}{0}$	$\frac{0}{0}$	1 $\frac{0}{2}$
3	3	<u>DOMAS KEREVIČIUS</u>	LTU/Mar		1 $\frac{0}{0}$	2 $\frac{4}{8}$	$\frac{4}{8}$	
1	4	<u>ZAHAR IZOTIN</u>	LTU/Šau	5 $\frac{4}{10}$	6 $\frac{4}{8}$		$\frac{8}{18}$	
6	5	<u>MARKUSS KALNIETIS</u>	Saldus	4 $\frac{0}{0}$		6 $\frac{0}{0}$	$\frac{0}{0}$	4 $\frac{4}{10}$
3	6	<u>NOJUS VAITKEVIČIUS</u>	LTU/Pan		4 $\frac{0}{0}$	5 $\frac{4}{8}$	$\frac{4}{8}$	

FINAL



VIETA

3	1	<u>DEVIDS VASJAKS</u>	Ādaži	2 $\frac{0}{0}$	3 $\frac{0}{0}$		$\frac{0}{0}$
2	2	<u>ANATOLIY KYRYCHENKO</u>	UKR/Vin	1 $\frac{5}{4}$		3 $\frac{0}{0}$	$\frac{5}{4}$
1	3	<u>ERMIN TARAŠKEVIČ</u>	LTU		1 $\frac{4}{8}$	2 $\frac{4}{8}$	$\frac{8}{16}$



VIETA

4	1	ARMANDAS NUMSĒDIS	LTU/Jon	2 $\frac{0}{0}$	3 $\frac{0}{0}$	4 $\frac{0}{0}$	$\frac{0}{0}$
3	2	DOMINYKAS SLAVICKAS	LTU/Mor	1 $\frac{4}{8}$	4 $\frac{0}{0}$	3 $\frac{0}{0}$	$\frac{4}{8}$
2	3	NIKITA GRAČOVŠ	D-pils	4 $\frac{0}{0}$	1 $\frac{5}{4}$	2 $\frac{5}{6}$	$\frac{10}{10}$
1	4	ARMANDAS KULEVIČIUS	LTU/Jon	3 $\frac{4}{8}$	2 $\frac{4}{8}$	1 $\frac{4}{8}$	$\frac{12}{24}$

71

2011
GR-R28. STARPTAUTISKĀS K.KUNDZIŅA KAUSA IZCĪŅAS SACENSĪBAS
RĪGA. 4.11.2023.

VIETA

1	ARTJOMS ZORINS	Daugm
---	----------------	-------

76

2011
GR-R

28. STARPTAUTISKĀS K.KUNDZIŅA KAUSA IZCĪŅAS SACENSĪBAS
RĪGA. 4.11.2023.



VIETA

1	TIMURS HALAFOVS	Rēzekne
---	-----------------	---------

76+

2011
GR-R28. STARPTAUTISKĀS K.KUNDZIŅA KAUSA IZCĪNAS SACENSĪBAS
RĪGA. 4.11.2023.

VIETA

1	1	SALVIS BRUŽS	Saldus	$2\frac{5}{6}$	$3\frac{4}{8}$		$\frac{9}{14}$
2	2	TIMURS HALAFOVS	Rēzekne	$1\frac{0}{0}$		$3\frac{5}{4}$	$\frac{5}{4}$
3	3	BOGDANS KAPUSTINS	Kundz		$1\frac{0}{0}$	$2\frac{0}{0}$	$\frac{0}{0}$



VIETA

1	1	MARIJA SOKOLOVA	D-pils	2 $\frac{5}{4}$	3 $\frac{5}{4}$		$\frac{10}{8}$
3	2	EMĪLIJA PRAULĪTE	LSCSK	1 $\frac{0}{0}$		3 $\frac{1}{2}$	$\frac{1}{2}$
2	3	VIKTORIJA SAVEĻJEVA	Kundz		1 $\frac{0}{0}$	2 $\frac{4}{12}$	$\frac{4}{12}$



VIETA

6	1	<u>MADARA KALNIŅA</u>	Liepāja	$2 \frac{0}{0}$	$3 \frac{0}{0}$		$\frac{0}{0}$	$2 \frac{1}{2}$	
2	2	<u>VILTĒ ŽAKAITYTĒ</u>	LTU/Ras	$1 \frac{4}{10}$		$3 \frac{5}{4}$	$\frac{9}{14}$		
3	3	<u>OKSANA BOBIĻOVA</u>	D-pils		$1 \frac{5}{2}$	$2 \frac{0}{0}$	$\frac{5}{2}$		
FINAL									
1	4	<u>ANU-LIIS RAUDSEPP</u>	EST/Vil	$5 \frac{5}{4}$	$6 \frac{4}{14}$	$7 \frac{5}{8}$	$\frac{14}{26}$	$4 \frac{4}{12}$	
5	5	<u>AMINA MAMEDOVA</u>	D-pils	$4 \frac{0}{0}$	$7 \frac{5}{5}$	$6 \frac{0}{4}$	$\frac{5}{9}$		
3	6	<u>ADRIANA GOLUBCOVA</u>	LSCSK	$7 \frac{4}{10}$	$4 \frac{1}{4}$	$5 \frac{5}{5}$	$\frac{10}{19}$		
7	7	<u>BETIJA RUTKA</u>	Bauska	$6 \frac{0}{0}$	$5 \frac{0}{0}$	$4 \frac{0}{0}$	$\frac{0}{0}$		



VIETA

3	1	ANTOŅINA JAKOVĻEVA	LSCSK	2 $\frac{0}{0}$	3 $\frac{0}{2}$		$\frac{0}{2}$
1	2	EMĪLIJA ALAINE	D.Ķek.n	1 $\frac{5}{4}$		3 $\frac{5}{4}$	$\frac{10}{8}$
2	3	VALENTĪNA TROFIMOVA	D-pils		1 $\frac{5}{4}$	2 $\frac{0}{0}$	$\frac{5}{4}$

61+

2006
WW28. STARPTAUTISKĀS K.KUNDZIŅA KAUSA IZCĪŅAS SACENSĪBAS
RĪGA. 4.11.2023.

VIETA

1	1	VIKTORIJA IRKLE	Liepāja	$2\frac{5}{4}$	$5\frac{4}{11}$	$4\frac{3}{7}$	$3\frac{3}{12}$		$\frac{15}{34}$
5	2	KATRINA BARČA	D-pils	$1\frac{0}{0}$	$3\frac{0}{0}$	$5\frac{0}{0}$		$4\frac{0}{0}$	$\frac{0}{0}$
2	3	GRETA TVERSKYTE	LTU/Rad	$4\frac{4}{10}$	$2\frac{5}{4}$		$1\frac{1}{5}$	$5\frac{3}{4}$	$\frac{13}{23}$
4	4	MARGARITA KIRILOVA	LSCSK	$3\frac{0}{0}$		$1\frac{0}{0}$	$5\frac{1}{1}$	$2\frac{5}{6}$	$\frac{6}{7}$
3	5	SANTANA NOVIKOVA	Kundz		$1\frac{0}{0}$	$2\frac{4}{10}$	$4\frac{3}{3}$	$3\frac{1}{1}$	$\frac{8}{14}$



7	1	<u>AGNESE SPROĢE</u>	PBLCKK	$2\frac{0}{0}$	$3\frac{0}{0}$		$\frac{0}{0}$	3 $\frac{0}{0}$
3	2	<u>MARTA ČIBULE</u>	Ķek.SS	$1\frac{5}{9}$		$3\frac{0}{0}$	$\frac{5}{9}$	
2	3	<u>MADARA PRAULĪTE</u>	LSCSK		$1\frac{5}{4}$	$2\frac{5}{6}$	$\frac{10}{10}$	
6	4	<u>VARVARA PRIEDIENE</u>	Liepāja	$5\frac{0}{1}$	$6\frac{0}{0}$	$7\frac{0}{0}$	$\frac{0}{1}$	FINAL
5	5	<u>SAMANTA ELTERMĀNE</u>	PBLCKK	$4\frac{5}{4}$	$7\frac{0}{2}$	$6\frac{0}{0}$	$\frac{5}{6}$	
1	6	<u>ANASTASIJA JAKOVĻEVA</u>	D-pils	$7\frac{4}{10}$	$4\frac{5}{10}$	$5\frac{4}{12}$	$\frac{13}{32}$	6 $\frac{5}{7}$
3	7	<u>SOFIJA JEĻISEJEVA</u>	Augšd.n	$6\frac{0}{0}$	$5\frac{5}{6}$	$4\frac{5}{4}$	$\frac{10}{10}$	

28. STARPTAUTISKĀS K.KUNDZIŅA KAUSA IZCĪNAS SACENSĪBAS
RĪGA. 4.11.2023.

VIETA

2	1	<u>JEVA IVANOVSKA</u>	D-pils	2 $\frac{5}{4}$	3 $\frac{4}{10}$		$\frac{9}{14}$	
3	2	<u>MILANA FILATOVA</u>	Augšd.n	1 $\frac{0}{0}$		3 $\frac{5}{4}$	$\frac{5}{4}$	1 $\frac{1}{2}$
5	3	<u>KSENIJA POMASKOVA</u>	Krāslava		1 $\frac{0}{0}$	2 $\frac{0}{0}$	$\frac{0}{0}$	
3	4	<u>ELLA TRĒDE</u>	Saldus	5 $\frac{5}{4}$	6 $\frac{0}{0}$		$\frac{5}{4}$	
6	5	<u>MARGARITA ROMASČENKO</u>	Augšd.n	4 $\frac{0}{0}$		6 $\frac{0}{0}$	$\frac{0}{0}$	6 $\frac{3}{6}$
1	6	<u>VIKTORIJA DIMBOVSKA</u>	Krāslava		4 $\frac{5}{2}$	5 $\frac{4}{10}$	$\frac{9}{12}$	

FINAL

28. STARPTAUTISKĀS K.KUNDZIŅA KAUSA IZCĪŅAS SACENSĪBAS
RĪGA. 4.11.2023.

VIETA

2	TAISIJA VAŅINA	D-pils	$\frac{0}{6}$
1	DARJA MARKOVA	LSCSK	$\frac{5}{5}$

66

2009
WW

28. STARPTAUTISKĀS K.KUNDZIŅA KAUSA IZCĪŅAS SACENSĪBAS
RĪGA. 4.11.2023.



VIETA

1	MARGARITA KIRILOVA	LSCSK
---	--------------------	-------

28. STARPTAUTISKĀS K.KUNDZIŅA KAUSA IZCĪNAS SACENSĪBAS
RĪGA. 4.11.2023.

VIETA

1	KERIJA TREIJA	PBLCKK	$\frac{5}{2}$
2	IZABELLA DUBĻEŅNIKOVA	Kundz	$\frac{0}{0}$

28. STARPTAUTISKĀS K.KUNDZIŅA KAUSA IZCĪŅAS SACENSĪBAS
RĪGA. 4.11.2023.

VIETA

5	1	KIARA ŠAPOVALOVA	Kundz	2 $\frac{0}{0}$	3 $\frac{0}{0}$		$\frac{0}{0}$	2 $\frac{5}{2}$
1	2	NICOLE FIGUEIR. RIŠYTĒ	LTU/Jon	1 $\frac{5}{2}$		3 $\frac{5}{4}$	$\frac{10}{6}$	
3	3	LIEGA RUICE	PBLCKK		1 $\frac{5}{4}$	2 $\frac{0}{4}$	$\frac{5}{8}$	
FINAL								
3	4	ESTERE ELZA MŪRNIECE	Kundz	5 $\frac{0}{6}$	6 $\frac{5}{6}$		$\frac{5}{12}$	5 $\frac{0}{0}$
2	5	SANIJA ŠATAITE	Saldus	4 $\frac{5}{16}$		6 $\frac{5}{4}$	$\frac{10}{14}$	
6	6	TATJANA ZERKAĻOVA	Kundz		4 $\frac{0}{0}$	5 $\frac{0}{0}$	$\frac{0}{0}$	

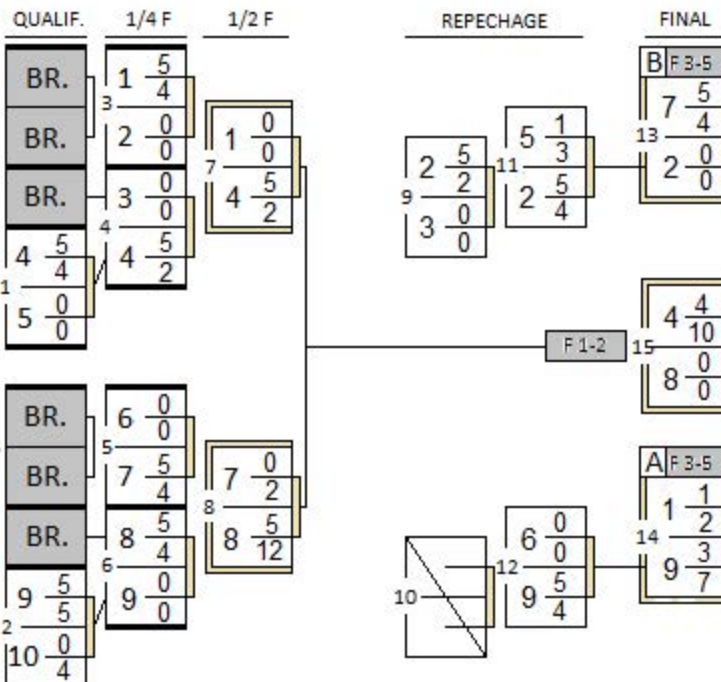


VIETA			QUALIF.	1/4 F	1/2 F	REPECHAGE	FINAL	
9	1	POLINA MIHASENOKA	Kundz	BR.	1 0 2 0			
3	2	VIKTORIJA ŠKĻAROVA	D-pils	BR.	2 5 2 6	6 2 0 3 1		
2	3	ARIANNA GAVRIKOVA	Kundz	BR.	3 5 3 4	6 3 5 3 2		
5	4	MARTA ALEKS. KAZANSKA	LSCSK	BR.	4 0 4 0			
7	5	SOFIJA POĻAKOVA	Kundz	BR.	5 0 5 0			
1	6	MIA MIKUCKA	D-pils	BR.	6 5 6 4	7 6 5 7 7		
5	7	ANNA-MARIJA KARAMOVA	Kundz	BR.	7 0 7 0	7 8 0 7 3		
3	8	VARVARA MARKOVA	LSCSK	8 5 8 4	5 8 5 8 2			
8	9	ALISA SEVEROVA	Kundz	9 0 9 0				
						9 1 0 4 5 4 6	11 B F3-5 8 5 4 4 4 0 4 0	
							13 3 0 12 12 6 5 6 12	
						8 5 1 3 3 7 4 7 14	10 9 0 6 6 7 5 7 2	12 A F3-5 2 5 8 8 7 0 7 0



VIETA

5	1	ADRIANA UĻJANOVA	Victory-1
5	2	ILĀNA ĻITVINSKA	Krāslava
9	3	POLINA VOROBJOVA	Kundz
1	4	LIY-ANN KIIPUS	EST/Vil
7	5	MARIJA TUMAŠEVIČA	Victory-1
10	6	ARINA KAIRIŠA	Kundz
3	7	OLĪVIJA ATAMAŅUKOVA	Victory-1
2	8	DANIELA DUBLEŅNIKOVA	Kundz
3	9	KIRA GRIGORJEVA	FreeZone
8	10	AGATA FJODOROVA	Victory-1





VIETA

6	1	MARIJA PLATONOVA	Kundz	$2 \frac{0}{0}$	$3 \frac{0}{0}$		$\frac{0}{0}$	
3	2	LIVA BREDE	Liepāja	$1 \frac{5}{2}$		$3 \frac{0}{0}$	$\frac{5}{2}$	$3 \frac{4}{12}$
1	3	HANNA PEDECE	LSCSK		$1 \frac{5}{4}$	$2 \frac{5}{8}$	$\frac{10}{12}$	
2	4	MARTA KAPUSTO	Kundz	$5 \frac{5}{11}$	$6 \frac{5}{9}$	$7 \frac{5}{2}$	$\frac{15}{22}$	FINAL
3	5	SOFIJA IVANOVA	Kundz	$4 \frac{0}{0}$	$7 \frac{5}{4}$	$6 \frac{4}{12}$	$\frac{9}{16}$	
5	6	ANNA JOKSTE	PBLCKK	$7 \frac{5}{4}$	$4 \frac{0}{0}$	$5 \frac{1}{2}$	$\frac{6}{6}$	$4 \frac{1}{2}$
7	7	ELVĪRA PĒTERSONE	Bauska	$6 \frac{0}{0}$	$5 \frac{0}{0}$	$4 \frac{0}{0}$	$\frac{0}{0}$	

46

2012
WW28. STARPTAUTISKĀS K.KUNDZIŅA KAUSA IZCĪŅAS SACENSĪBAS
RĪGA. 4.11.2023.

VIETA

1	VANESA ŠARKOVSKA	Kundz
---	------------------	-------

46+

2012
WW28. STARPTAUTISKĀS K.KUNDZIŅA KAUSA IZCĪNAS SACENSĪBAS
RĪGA. 4.11.2023.

VIETA				QUALIF.	1/4 F	1/2 F	REPECHAGE	FINAL
5	1	ANDREJA BRAZAUSKAITE	LTU/Kel	BR.	1 $\frac{4}{13}$			
10	2	KRISTINA ŠĻAKITSKA	Kundz	BR.	2 $\frac{1}{2}$			
1	3	KAROLINA KARPENKO	D-pils	$\frac{3}{12}$ $\frac{4}{12}$		$\frac{1}{9}$ $\frac{0}{0}$		
7	4	IEVA GABRIELA KAŽMERE	Ķek.SS	$\frac{4}{1}$ $\frac{1}{2}$	$\frac{3}{6}$ $\frac{4}{10}$	$\frac{3}{3}$ $\frac{4}{10}$		
9	5	ROZE LŪKINA	Kundz	$\frac{5}{1}$ $\frac{1}{4}$	$\frac{6}{6}$ $\frac{0}{0}$			
5	6	JŪLIJA SMIRNOVA	D-pils	$\frac{6}{4}$ $\frac{4}{16}$				
3	7	KLĀRA KOKOREVIČA	LSCSK	BR.	$\frac{7}{7}$ $\frac{5}{6}$			
3	8	NELLI PUZANOVA	Krāslava	BR.	$\frac{8}{8}$ $\frac{0}{2}$			
2	9	SOFIJA PLATONOVA	Kundz	$\frac{9}{9}$ $\frac{4}{10}$		$\frac{7}{10}$ $\frac{1}{6}$		
11	10	ADRIANA SEĻICKA	Victory-1	$\frac{10}{10}$ $\frac{0}{0}$		$\frac{9}{9}$ $\frac{5}{7}$		
8	11	ANGELINA TREIJA	Jelg.n	$\frac{11}{11}$ $\frac{5}{4}$		$\frac{11}{11}$ $\frac{0}{4}$		
12	12	MARIJA SERGIJENKO	Liepāja	$\frac{12}{12}$ $\frac{0}{0}$				
							$\frac{2}{4}$ $\frac{0}{10}$	
							$\frac{6}{13}$ $\frac{5}{8}$	
							$\frac{4}{4}$ $\frac{0}{0}$	
							$\frac{11}{8}$ $\frac{0}{6}$	
							$\frac{15}{6}$ $\frac{1}{4}$	
							$\frac{17}{9}$ $\frac{3}{6}$	
							$\frac{16}{8}$ $\frac{4}{10}$	
							$\frac{11}{11}$ $\frac{0}{0}$	
							$\frac{14}{8}$ $\frac{5}{6}$	
							$\frac{12}{10}$ $\frac{0}{2}$	
							$\frac{13}{4}$ $\frac{0}{0}$	
							$\frac{11}{8}$ $\frac{0}{6}$	
							$\frac{12}{10}$ $\frac{0}{2}$	
							$\frac{13}{4}$ $\frac{0}{0}$	
							$\frac{11}{8}$ $\frac{0}{6}$	
							$\frac{12}{10}$ $\frac{0}{2}$	
							$\frac{13}{4}$ $\frac{0}{0}$	
							$\frac{11}{8}$ $\frac{0}{6}$	
							$\frac{12}{10}$ $\frac{0}{2}$	
							$\frac{13}{4}$ $\frac{0}{0}$	
							$\frac{11}{8}$ $\frac{0}{6}$	
							$\frac{12}{10}$ $\frac{0}{2}$	
							$\frac{13}{4}$ $\frac{0}{0}$	
							$\frac{11}{8}$ $\frac{0}{6}$	
							$\frac{12}{10}$ $\frac{0}{2}$	
							$\frac{13}{4}$ $\frac{0}{0}$	
							$\frac{11}{8}$ $\frac{0}{6}$	
							$\frac{12}{10}$ $\frac{0}{2}$	
							$\frac{13}{4}$ $\frac{0}{0}$	
							$\frac{11}{8}$ $\frac{0}{6}$	
							$\frac{12}{10}$ $\frac{0}{2}$	
							$\frac{13}{4}$ $\frac{0}{0}$	
							$\frac{11}{8}$ $\frac{0}{6}$	
							$\frac{12}{10}$ $\frac{0}{2}$	
							$\frac{13}{4}$ $\frac{0}{0}$	
							$\frac{11}{8}$ $\frac{0}{6}$	
							$\frac{12}{10}$ $\frac{0}{2}$	
							$\frac{13}{4}$ $\frac{0}{0}$	
							$\frac{11}{8}$ $\frac{0}{6}$	
							$\frac{12}{10}$ $\frac{0}{2}$	
							$\frac{13}{4}$ $\frac{0}{0}$	
							$\frac{11}{8}$ $\frac{0}{6}$	
							$\frac{12}{10}$ $\frac{0}{2}$	
							$\frac{13}{4}$ $\frac{0}{0}$	
							$\frac{11}{8}$ $\frac{0}{6}$	
							$\frac{12}{10}$ $\frac{0}{2}$	
							$\frac{13}{4}$ $\frac{0}{0}$	
							$\frac{11}{8}$ $\frac{0}{6}$	
							$\frac{12}{10}$ $\frac{0}{2}$	
							$\frac{13}{4}$ $\frac{0}{0}$	
							$\frac{11}{8}$ $\frac{0}{6}$	
							$\frac{12}{10}$ $\frac{0}{2}$	
							$\frac{13}{4}$ $\frac{0}{0}$	
							$\frac{11}{8}$ $\frac{0}{6}$	
							$\frac{12}{10}$ $\frac{0}{2}$	
							$\frac{13}{4}$ $\frac{0}{0}$	
							$\frac{11}{8}$ $\frac{0}{6}$	
							$\frac{12}{10}$ $\frac{0}{2}$	
							$\frac{13}{4}$ $\frac{0}{0}$	
							$\frac{11}{8}$ $\frac{0}{6}$	
							$\frac{12}{10}$ $\frac{0}{2}$	
							$\frac{13}{4}$ $\frac{0}{0}$	
							$\frac{11}{8}$ $\frac{0}{6}$	
							$\frac{12}{10}$ $\frac{0}{2}$	
							$\frac{13}{4}$ $\frac{0}{0}$	
							$\frac{11}{8}$ $\frac{0}{6}$	
							$\frac{12}{10}$ $\frac{0}{2}$	
							$\frac{13}{4}$ $\frac{0}{0}$	
							$\frac{11}{8}$ $\frac{0}{6}$	
							$\frac{12}{10}$ $\frac{0}{2}$	
							$\frac{13}{4}$ $\frac{0}{0}$	
							$\frac{11}{8}$ $\frac{0}{6}$	
							$\frac{12}{10}$ $\frac{0}{2}$	
							$\frac{13}{4}$ $\frac{0}{0}$	
							$\frac{11}{8}$ $\frac{0}{6}$	
							$\frac{12}{10}$ $\frac{0}{2}$	
							$\frac{13}{4}$ $\frac{0}{0}$	
							$\frac{11}{8}$ $\frac{0}{6}$	
							$\frac{12}{10}$ $\frac{0}{2}$	
							$\frac{13}{4}$ $\frac{0}{0}$	
							$\frac{11}{8}$ $\frac{0}{6}$	
							$\frac{12}{10}$ $\frac{0}{2}$	
							$\frac{13}{4}$ $\frac{0}{0}$	
							$\frac{11}{8}$ $\frac{0}{6}$	
							$\frac{12}{10}$ $\frac{0}{2}$	
							$\frac{13}{4}$ $\frac{0}{0}$	
							$\frac{11}{8}$ $\frac{0}{6}$	
							$\frac{12}{10}$ $\frac{0}{2}$	
							$\frac{13}{4}$ $\frac{0}{0}$	
							$\frac{11}{8}$ $\frac{0}{6}$	
							$\frac{12}{10}$ $\frac{0}{2}$	
							$\frac{13}{4}$ $\frac{0}{0}$	
							$\frac{11}{8}$ $\frac{0}{6}$	
							$\frac{12}{10}$ $\frac{0}{2}$	
							$\frac{13}{4}$ $\frac{0}{0}$	
							$\frac{11}{8}$ $\frac{0}{6}$	
							$\frac{12}{10}$ $\frac{0}{2}$	
							$\frac{13}{4}$ $\frac{0}{0}$	
							$\frac{11}{8}$ $\frac{0}{6}$	
							$\frac{12}{10}$ $\frac{0}{2}$	
							$\frac{13}{4}$ $\frac{0}{0}$	
							$\frac{11}{8}$ $\frac{0}{6}$	
							$\frac{12}{10}$ $\frac{0}{2}$	
							$\frac{13}{4}$ $\frac{0}{0}$	
							$\frac{11}{8}$ $\frac{0}{6}$	
							$\frac{12}{10}$ $\frac{0}{2}$	
							$\frac{13}{4}$ $\frac{0}{0}$	
							$\frac{11}{8}$ $\frac{0}{6}$	
							$\frac{12}{10}$ $\frac{0}{2}$	
							$\frac{13}{4}$ $\frac{0}{0}$	
							$\frac{11}{8}$ $\frac{0}{6}$	
							$\frac{12}{10}$ $\frac{0}{2}$	
							$\frac{13}{4}$ $\frac{0}{0}$	
							$\frac{11}{8}$ $\frac{0}{6}$	
							$\frac{12}{10}$ $\frac{0}{2}$	
							$\frac{13}{4}$ $\frac{0}{0}$	
							$\frac{11}{8}$ $\frac{0}{6}$	
							$\frac{12}{10}$ $\frac{0}{2}$	
							$\frac{13}{4}$ $\frac{0}{0}$	
							$\frac{11}{8}$ $\frac{0}{6}$	
							$\frac{12}{10}$ $\frac{0}{2}$	
							$\frac{13}{4}$ $\frac{0}{0}$	
							$\frac{11}{8}$ $\frac{0}{6}$	
							$\frac{12}{10}$ $\frac{0}{2}$	
							$\frac{13}{4}$ $\frac{0}{0}$	
							$\frac{11}{8}$ $\frac{0}{6}$	
							$\frac{12}{10}$ $\frac{0}{2}$	
							$\frac{13}{4}$ $\frac{0}{0}$	
							$\frac{11}{8}$ $\frac{0}{6}$	
							$\frac{12}{10}$ $\frac{0}{2}$	
							$\frac{13}{4}$ $\frac{0}{0}$	
							$\frac{11}{8}$ $\frac{0}{6}$	
							$\frac{12}{10}$ $\frac{0}{2}$	
							$\frac{13}{4}$ $\frac{0}{0}$	
							$\frac{11}{8}$ $\frac{0}{6}$	
							$\frac{12}{10}$ $\frac{0}{2}$	
							$\frac{13}{4}$ $\frac{0}{0}$	
							$\frac{11}{8}$ $\frac{0}{6}$	
							$\frac{12}{10}$ $\frac{0}{2}$	
							$\frac{13}{4}$ $\frac{0}{0}$	
							$\frac{11}{8}$ $\frac{0}{6}$	
							$\frac{12}{10}$ $\frac{0}{2}$	
							$\frac{13}{4}$ $\frac{0}{0}$	
							$\frac{11}{8}$ $\frac{0}{6}$	
							$\frac{12}{10}$ $\frac{0}{2}$	



**28. STARPTAUTISKĀS
KRIŠJĀŅA KUNDZIŅA
KAUSA IZCĪŅAS SACENSĪBAS**

**BRĪVAJĀ CĪŅĀ SIEVIETĒM
BRĪVAJĀ CĪŅĀ
GRIEĶU-ROMIEŠU CĪŅĀ**



2023.g. 4. novembrī

**RĪGAS NACIONĀLAJĀ SPORTA MANĒŽĀ
Kojusalas ielā, Rīgā. Sacensību atklāšana plkst. 9:45**

