

WW 2009 39kg

vieta

1	SANTA SKROMĀNE	1	Augšd n
---	----------------	---	---------

PLACE

1

WW 2009 42kg

vieta

1	HANNA PEDECE	1	LSCSK
2	KSENIJA NAGORNAKA	2	Augšd n

		Kl./Th. point	
1	$\frac{4}{10}$	1	$\frac{4}{10}$
2	$\frac{0}{0}$	2	$\frac{0}{0}$

WW 2009 50kg

vieta

1	ANASTASIJA JAKOVLEVA	1	D-pils
2	RASA KAZAKEVIČ	2	LTU/Rad

		Kl./Th. point	
1	$\frac{4}{10}$	1	$\frac{4}{10}$
2	$\frac{0}{0}$	2	$\frac{0}{0}$

WW 2009 54kg

vieta

1	TAISIJA VAŅINA	3	D-pils
2	KAROLINA KARPENKO	1	D-pils
3	MADARA PRAULĪTE	2	LSCSK

	1. round	2. round	3. round	Kl./Th. point
1	$\begin{array}{r} 1 \quad 0 \\ \hline 2 \quad 5 \\ 10 \end{array}$	$\begin{array}{r} 3 \quad 4 \\ \hline 1 \quad 1 \\ 2 \end{array}$	$\begin{array}{r} 2 \quad 4 \\ \hline 3 \quad 0 \\ 0 \end{array}$	$\begin{array}{r} 1 \quad 1 \\ \hline 2 \quad 9 \\ 22 \end{array}$
	3.Fr.	2.Fr.	1.Fr.	3 $\frac{4}{13}$

WW 2009 58kg

vieta

1	VIKTORIJA DIMBOVSKA	2	Krāslava
2	MILANA NOVIKOVA	5	Kundz
3	MARGARITA ROMASČENKO	3	Augšd n
4	SANTA ŽARKEVIČA	3	D-pils
5	ELLA TRĒDE	1	Saldus

	1. round	2. round	3. round	4. round	5. round	Kl./Th. point	
1	$\begin{array}{r} 1 \quad 4 \\ \hline 10 \end{array}$	$\begin{array}{r} 5 \quad 3 \\ \hline 7 \end{array}$	$\begin{array}{r} 4 \quad 0 \\ \hline 0 \end{array}$	$\begin{array}{r} 3 \quad 0 \\ \hline 0 \end{array}$	$\begin{array}{r} 2 \quad 0 \\ \hline 0 \end{array}$	1	$\frac{12}{30}$
2	$\begin{array}{r} 2 \quad 0 \\ \hline 0 \end{array}$	$\begin{array}{r} 1 \quad 1 \\ \hline 2 \end{array}$	$\begin{array}{r} 1 \quad 4 \\ \hline 12 \end{array}$	$\begin{array}{r} 1 \quad 3 \\ \hline 6 \end{array}$	$\begin{array}{r} 4 \quad 5 \\ \hline 4 \end{array}$	2	$\frac{0}{0}$
3	$\begin{array}{r} 3 \quad 0 \\ \hline 0 \end{array}$	$\begin{array}{r} 2 \quad 0 \\ \hline 0 \end{array}$	$\begin{array}{r} 5 \quad 5 \\ \hline 4 \end{array}$	$\begin{array}{r} 4 \quad 0 \\ \hline 2 \end{array}$	$\begin{array}{r} 3 \quad 0 \\ \hline 0 \end{array}$	3	$\frac{5}{2}$
4	$\begin{array}{r} 4 \quad 4 \\ \hline 10 \end{array}$	$\begin{array}{r} 3 \quad 5 \\ \hline 2 \end{array}$	$\begin{array}{r} 2 \quad 0 \\ \hline 0 \end{array}$	$\begin{array}{r} 5 \quad 5 \\ \hline 4 \end{array}$	$\begin{array}{r} 5 \quad 5 \\ \hline 2 \end{array}$	4	$\frac{9}{16}$
5						5	$\frac{18}{17}$

WW 2009 62kg

1	ALINA ŠIMANSKA	1	D-pils
2	MILANA FILATOVA	2	Augšd n

		Kl./Th. point
1	1	$\frac{5}{4}$
	2	$\frac{0}{8}$
2	1	$\frac{5}{4}$
	2	$\frac{0}{8}$

WW 2009 66kg

vieta

1	KLARA KOKOREVIČA	1	LSCSK
---	------------------	---	-------

PLACE

1

WW 2007 53kg

vieta

1	MADARA PRAULĪTE	2	LSCSK
2	VIKTORIJA SASELJEVA	3	Kundz
3	EMĪLIJA PRAULĪTE	1	LSCSK

1. round		2. round		3. round		KI./Th. point	
1	$\frac{4}{28}$	3	$\frac{5}{7}$	2	$\frac{1}{7}$	1	$\frac{5}{29}$
2	$\frac{1}{15}$	1	$\frac{0}{1}$	3	$\frac{3}{12}$	2	$\frac{2}{22}$
	3.Fr.		2.Fr.		1.Fr.	3	$\frac{8}{19}$

WW 2007 57kg

vieta

1	AMINA MAMEDOVA	2	D-pils
2	OKSANA BOBILOVA	3	D-pils
3	VILTĒ ŽAKAITYTĒ	1	LTU/Ras
4	BETIJA RUTKA	3	Bauska

1. round		2. round		3. round		Kl./Th. point	
1	$\frac{5}{4}$	1	$\frac{0}{0}$	1	$\frac{5}{4}$	1	$\frac{10}{8}$
2	$\frac{0}{0}$	3	$\frac{4}{12}$	4	$\frac{0}{6}$	2	$\frac{0}{0}$
3	$\frac{5}{3}$	2	$\frac{0}{0}$	2	$\frac{0}{0}$	3	$\frac{13}{25}$
4	$\frac{0}{2}$	4	$\frac{4}{10}$	3	$\frac{4}{10}$	4	$\frac{4}{18}$

WW 2007 69kg

vieta

1	MARGARITA KIRILOVA	1	LSCSK
---	--------------------	---	-------

PLACE

1

WW 2007 73kg

vieta

1	GRETA TVERSLUJTE	2	LTU/Rad
2	DARJA MARKOVA	1	LSCSK

		Kl./Th. point	
1	$\frac{0}{4}$	1	$\frac{0}{4}$
2	$\frac{5}{2}$	2	$\frac{5}{2}$

GR-R 2009 38kg

vieta

PLACE

1	ERNESTS TRĒDE	1	Saldus
---	---------------	---	--------

1

GR-R 2009 41kg**vieta**

1	IVAN AGAFONOV	1	LTU/Kla
2	ALANAS ALEKSANDRAVIČIUS	2	LTU/Kla

		Kl./Th. point	
1	$\frac{4}{9}$	1	$\frac{4}{9}$
2	$\frac{0}{0}$	2	$\frac{0}{0}$

GR-R 2009 44kg

vieta

1	RAIVIS OPALKO	4	Ādaži
2	IGNĀTIJS STANKEVIČS	1	D-pils
3	TIMURS ŠPEĻKOVŠ	3	Rēzekne
4	DENISS MAZAJEVS	3	Daugm

	1. round	2. round	3. round	Kl.Th. point
1	$\begin{array}{r} 1 \quad 0 \\ 2 \quad 5 \\ \hline 8 \end{array}$	$\begin{array}{r} 1 \quad 0 \\ 3 \quad 4 \\ \hline 8 \end{array}$	$\begin{array}{r} 1 \quad 0 \\ 4 \quad 5 \\ \hline 4 \end{array}$	$\begin{array}{r} 1 \quad 0 \\ 2 \quad 13 \\ \hline 31 \end{array}$
2	$\begin{array}{r} 3 \quad 0 \\ 4 \quad 5 \\ \hline 10 \end{array}$	$\begin{array}{r} 2 \quad 4 \\ 4 \quad 0 \\ \hline 10 \end{array}$	$\begin{array}{r} 2 \quad 4 \\ 3 \quad 1 \\ \hline 4 \end{array}$	$\begin{array}{r} 3 \quad 5 \\ 4 \quad 12 \\ \hline 17 \end{array}$
3				
4				

GR-R 2009 48kg

vieta

1	KIRILL KLOPOV	1	LTU/Kla
2	IVANS BEĻAJEVŠ	5	Rēzekne
3	KRISTERS FJODOROVŠ	3	Saldus
4	ERNESTS CERNEKOVŠ	6	Daugm
5	RENARS ZILS	5	D-pils
6	TIMURS RIŽAKOVŠ	3	Rēzekne
7	BENAS MOTIJAUSKAS	2	LTU/Kla

	1. round	2. round	3. round	Kl./Th. point	FINAL				
A	1 $\frac{4}{9}$ 2 $\frac{0}{0}$	4 $\frac{4}{8}$ 3 $\frac{0}{0}$	7 $\frac{4}{8}$ 4 $\frac{0}{0}$	1 $\frac{12}{25}$ 2 $\frac{5}{4}$	<table border="1"> <tr><td>1</td><td>$\frac{4}{8}$</td></tr> <tr><td>7</td><td>$\frac{0}{0}$</td></tr> </table>	1	$\frac{4}{8}$	7	$\frac{0}{0}$
	1	$\frac{4}{8}$							
	7	$\frac{0}{0}$							
	2 $\frac{5}{4}$ 4 $\frac{0}{0}$	5 $\frac{5}{4}$ 4 $\frac{0}{0}$	8 $\frac{2}{0}$ 3 $\frac{5}{4}$	3 $\frac{10}{8}$ 4 $\frac{0}{0}$					
3 $\frac{5}{0}$ 6 $\frac{4}{8}$	6 $\frac{7}{7}$ 5 $\frac{0}{0}$	9 $\frac{6}{0}$ 7 $\frac{5}{4}$	5 $\frac{0}{0}$ 6 $\frac{4}{8}$						
5 $\frac{0}{0}$ 6 $\frac{4}{8}$	7 $\frac{5}{7}$ 5 $\frac{0}{0}$	6 $\frac{0}{0}$ 7 $\frac{5}{4}$	7 $\frac{10}{11}$						

GR-R 2009 52kg

vieta

1	RALFS BOTSMANIS	3	Saldus
2	POVILAS ŠEŠKEVIČIUS	2	LTU/Kla
3	ALEKSANDRS NOVIKOVŠ	4	Liepāja
4	DANILA ZAHAROVŠ	1	Daugm

	1. round	2. round	3. round	Kl./Th. point
1	1 $\frac{0}{0}$ 2 $\frac{4}{10}$	1 $\frac{5}{14}$ 3 $\frac{0}{6}$	1 $\frac{0}{0}$ 4 $\frac{4}{8}$	1 $\frac{5}{14}$ 2 $\frac{9}{17}$
2	3 $\frac{0}{0}$ 4 $\frac{4}{8}$	2 $\frac{0}{7}$ 4 $\frac{5}{4}$	2 $\frac{5}{0}$ 3 $\frac{0}{0}$	3 $\frac{0}{6}$ 4 $\frac{13}{20}$

GR-R 2009 57kg

vieta

1	MIKELIS ZOMEROVSKIS	6	Ādaži
2	RADOMIRS ZJATKOVŠ	2	Ādaži
3	IĻJA ALEKSANDROVS	3	D-pils
4	ADAS ŠACAUSKAS	5	LTU/Kla
5	DANIELIUS ŠEŠKEVIČIUS	1	LTU/Kla
6	ROMĀNS KAĻMUKS	7	Saldus
7	GĻEBS RUBĻOVŠ	3	Rēzekne

	1. round	2. round	3. round	Kl./Th. point	FINAL				
A	1 $\frac{0}{0}$ 2 $\frac{5}{4}$	4 $\frac{0}{0}$ 3 $\frac{5}{0}$	7 $\frac{0}{0}$ 4 $\frac{5}{0}$	1 $\frac{0}{0}$ 2 $\frac{15}{16}$	<table border="1"> <tr><td>A</td></tr> <tr><td>2 $\frac{0}{0}$</td></tr> <tr><td>5 $\frac{4}{8}$</td></tr> <tr><td>B</td></tr> </table>	A	2 $\frac{0}{0}$	5 $\frac{4}{8}$	B
	A								
	2 $\frac{0}{0}$								
	5 $\frac{4}{8}$								
B									
2 $\frac{4}{9}$ 4 $\frac{1}{1}$	5 $\frac{5}{4}$ 4 $\frac{0}{0}$	8 $\frac{5}{8}$ 3 $\frac{0}{0}$	3 $\frac{9}{9}$ 4 $\frac{6}{1}$						
3 $\frac{5}{4}$ 6 $\frac{0}{0}$	6 $\frac{0}{1}$ 5 $\frac{5}{2}$	9 $\frac{0}{0}$ 7 $\frac{5}{4}$	5 $\frac{10}{6}$ 6 $\frac{0}{0}$ 7 $\frac{5}{5}$						

GR-R 2009 62kg

vieta

1	ARTŪRS TRAŠKOVŠ	5	D-pils
2	ARKĀDIJS KRUPSKIS	3	D-pils
3	NIKITA BULOVS	1	Kundz
4	VYTAUTAS RAUDONIS	7	LTU/Kla
5	DMITRIJS ZITNEVS	2	Daugm
6	MAKSIS IVANISOVS	3	Liepāja
7	VLADISLAVS RUMJANCEVS	6	Rēzekne
8	SANDIS GERVIČS	8	D-pils

	1. round	2. round	3. round	Kl./Th. point	FINAL						
A	1 $\frac{0}{6}$	1 $\frac{0}{9}$	1 $\frac{5}{8}$	1 $\frac{5}{14}$	<div style="border: 1px solid black; padding: 5px; display: inline-block;"> <table style="border-collapse: collapse;"> <tr> <td style="border: 1px solid black; padding: 2px;">A</td> <td style="padding: 2px;">$\frac{5}{4}$</td> </tr> <tr> <td style="border: 1px solid black; padding: 2px;">3</td> <td style="padding: 2px;">$\frac{0}{0}$</td> </tr> <tr> <td style="border: 1px solid black; padding: 2px;">5</td> <td style="padding: 2px;">$\frac{0}{0}$</td> </tr> </table> </div>	A	$\frac{5}{4}$	3	$\frac{0}{0}$	5	$\frac{0}{0}$
	A	$\frac{5}{4}$									
	3	$\frac{0}{0}$									
	5	$\frac{0}{0}$									
2 $\frac{5}{6}$	3 $\frac{4}{9}$	4 $\frac{0}{0}$	2 $\frac{10}{9}$								
3 $\frac{5}{6}$	2 $\frac{5}{3}$	2 $\frac{0}{0}$	3 $\frac{13}{23}$								
4 $\frac{0}{2}$	4 $\frac{0}{0}$	3 $\frac{4}{8}$	4 $\frac{0}{2}$								
B	5 $\frac{5}{6}$	5 $\frac{4}{8}$	5 $\frac{4}{8}$	5 $\frac{13}{22}$							
	6 $\frac{0}{0}$	7 $\frac{0}{0}$	8 $\frac{0}{0}$	6 $\frac{7}{13}$							
	7 $\frac{4}{8}$	6 $\frac{4}{8}$	6 $\frac{3}{5}$	7 $\frac{4}{8}$							
	8 $\frac{0}{0}$	8 $\frac{0}{0}$	7 $\frac{0}{0}$	8 $\frac{0}{0}$							
	9 $\frac{0}{6}$	5 $\frac{0}{9}$	9 $\frac{0}{0}$								
	10 $\frac{0}{2}$	6 $\frac{0}{0}$	10 $\frac{0}{8}$								
	11 $\frac{0}{0}$	7 $\frac{0}{0}$	11 $\frac{0}{0}$								
	12 $\frac{0}{0}$	8 $\frac{0}{0}$	12 $\frac{0}{0}$								
	13 $\frac{0}{0}$		13 $\frac{0}{0}$								

GR-R 2009 68kg

vieta

1	MIHAILS IVANOVŠ	2	Daugm
2	ARTURS VEIDEMANIS	6	Ādaži
3	ANDREJS KOSTINS	3	Daugm
4	TIMOFEJS PILACS	5	D-pils
5	KIRILS PLEPIS	1	D-pils
6	MIHAILS FILA	7	Daugm
7	JEGORS RAKICKIJS	3	Daugm

	1. round	2. round	3. round	Kl./Th. point	FINAL				
A	1 $\frac{5}{5}$ 2 $\frac{0}{0}$	4 $\frac{5}{7}$ 3 $\frac{0}{0}$	7 $\frac{5}{6}$ 4 $\frac{0}{1}$	1 $\frac{15}{18}$	<table border="1"> <tr> <td>1</td> <td>$\frac{1}{2}$</td> </tr> <tr> <td>5</td> <td>$\frac{4}{10}$</td> </tr> </table>	1	$\frac{1}{2}$	5	$\frac{4}{10}$
	1	$\frac{1}{2}$							
	5	$\frac{4}{10}$							
	2 $\frac{1}{10}$ 4 $\frac{3}{14}$	5 $\frac{0}{0}$ 4 $\frac{5}{4}$	8 $\frac{4}{11}$ 3 $\frac{1}{2}$	2 $\frac{4}{11}$					
3 $\frac{4}{8}$ 6 $\frac{0}{0}$	6 $\frac{0}{0}$ 5 $\frac{4}{9}$	9 $\frac{0}{2}$ 7 $\frac{5}{11}$	3 $\frac{11}{12}$						
5 $\frac{4}{8}$ 6 $\frac{0}{0}$	7 $\frac{0}{0}$ 5 $\frac{4}{9}$	6 $\frac{0}{2}$ 7 $\frac{5}{11}$	4 $\frac{8}{19}$						
B	3 $\frac{4}{8}$ 6 $\frac{0}{0}$	6 $\frac{0}{0}$ 5 $\frac{4}{9}$	9 $\frac{0}{2}$ 7 $\frac{5}{11}$	5 $\frac{8}{17}$					
	5 $\frac{4}{8}$ 6 $\frac{0}{0}$	7 $\frac{0}{0}$ 5 $\frac{4}{9}$	6 $\frac{0}{2}$ 7 $\frac{5}{11}$	6 $\frac{0}{2}$					
	3 $\frac{4}{8}$ 6 $\frac{0}{0}$	6 $\frac{0}{0}$ 5 $\frac{4}{9}$	9 $\frac{0}{2}$ 7 $\frac{5}{11}$	7 $\frac{5}{11}$					
	5 $\frac{4}{8}$ 6 $\frac{0}{0}$	7 $\frac{0}{0}$ 5 $\frac{4}{9}$	6 $\frac{0}{2}$ 7 $\frac{5}{11}$	7 $\frac{5}{11}$					

GR-R 2009 75kg

vieta

1	ERIKS JEKAPSONS	5	Kundz
2	EDGARS OLEKSJUKS	2	Rēzekne
3	KRISTAPS PURIŅŠ	3	Auseklis
4	IGNAS ZABARAUSKAS	1	LTU/Jon
5	IĻJA KUZMENKO	3	Liepāja

	1. round	2. round	3. round	4. round	5. round	Kl./Th. point
1	1 $\frac{0}{0}$	3 $\frac{5}{0}$	5 $\frac{4}{0}$	7 $\frac{3}{0}$	9 $\frac{2}{0}$	1 $\frac{0}{0}$
2	2 $\frac{5}{0}$	1 $\frac{0}{0}$	1 $\frac{0}{0}$	1 $\frac{0}{0}$	4 $\frac{4}{8}$	2 $\frac{14}{12}$
3	3 $\frac{0}{0}$	2 $\frac{5}{4}$	5 $\frac{0}{0}$	4 $\frac{5}{6}$	3 $\frac{5}{4}$	3 $\frac{10}{4}$
4	4 $\frac{4}{8}$	3 $\frac{0}{0}$	2 $\frac{4}{8}$	5 $\frac{0}{0}$	5 $\frac{0}{0}$	4 $\frac{18}{22}$
5						5 $\frac{5}{0}$
	5. Fr.	4. Fr.	3. Fr.	2. Fr.	1. Fr.	

GR-R 2009 85kg

vieta

1	MARVINS HARTMANIS	1	Saldus
2	DANIILS PUGAČOVŠ	2	Kundz

		Kl./Th. point	
1	$\frac{5}{6}$	1	$\frac{5}{6}$
2	$\frac{0}{0}$	2	$\frac{0}{0}$

GR-R 2009 +85kg

vieta

1	MAKSIMS KIJKO	1	Daugm
2	LEO ASKOLDS VALBIS	3	Kundz
3	OSKARS PLOTKO	2	D-pils

	1. round	2. round	3. round	Kl./Th. point
1	$\begin{array}{r} 1 \frac{5}{5} \\ 2 \frac{0}{0} \end{array}$	$\begin{array}{r} 3 \frac{0}{0} \\ 1 \frac{4}{8} \end{array}$	$\begin{array}{r} 2 \frac{0}{0} \\ 3 \frac{5}{4} \end{array}$	$\begin{array}{r} 1 \frac{9}{13} \\ 2 \frac{0}{0} \\ 3 \frac{5}{4} \end{array}$
	3.Fr.	2.Fr.	1.Fr.	

GR-R 2007 48kg

vieta

1	NIKITA PAPUŠA	1	Liepāja
---	---------------	---	---------

PLACE

1

GR-R 2007 51kg

vieta

1	KASPARS IVANISOVS	1	Liepāja
---	-------------------	---	---------

PLACE

1

GR-R 2007 55kg

vieta

1	IĻJA KOĻAKO	2	Kundz
2	ALEKS CIGANOVŠ	3	Liepāja
3	ŽANS MEŠKIS	1	Liepāja

1. round		2. round		3. round		Kl./Th. point	
1	$\frac{4}{8}$	3	$\frac{5}{7}$	2	$\frac{0}{0}$	1	$\frac{4}{10}$
2	$\frac{0}{0}$	1	$\frac{0}{2}$	3	$\frac{4}{8}$	2	$\frac{0}{0}$
	3.Fr.		2.Fr.		1.Fr.	3	$\frac{9}{15}$

GR-R 2007 60kg

vieta

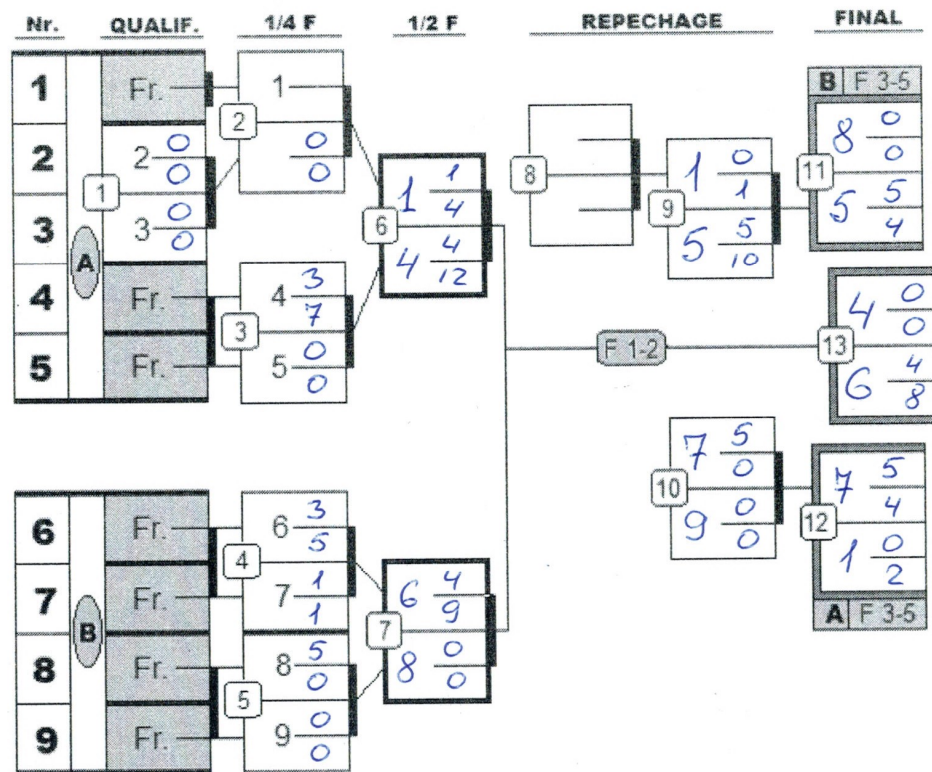
1	ILJA CVETKOVŠ	2	Rēzekne
2	ZAHARS SIDOROVŠ	3	Kundz
3	ARSENS BURKEVIČŠ	1	D-pils
4	RUSLANS MALEJEVS	3	Rezekne

1. round		2. round		3. round		Kl./Th. point	
1	$\frac{5}{0}$	1	$\frac{0}{0}$	1	$\frac{3}{9}$	1	$\frac{8}{9}$
2	$\frac{0}{0}$	3	$\frac{4}{11}$	4	$\frac{1}{5}$	2	$\frac{0}{0}$
3	$\frac{5}{4}$	2	$\frac{0}{0}$	2	$\frac{0}{0}$	3	$\frac{14}{15}$
4	$\frac{0}{0}$	4	$\frac{5}{0}$	3	$\frac{5}{0}$	4	$\frac{6}{5}$

GR-R 2007 65kg

vieta

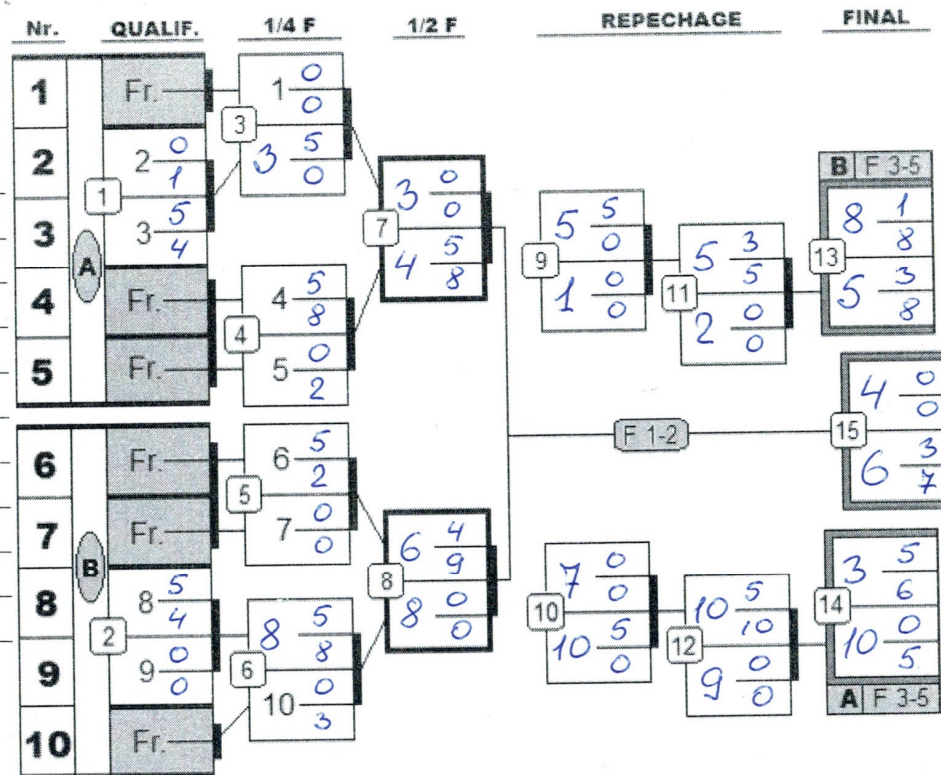
Nr.	QUALIF.	1/4 F	1/2 F	REPECHAGE	FINAL
1	Fr.	1			
2	2 0	0			
3	3 0	0			
4	Fr.	4 3			
5	Fr.	5 0			
6	Fr.	6 3			
7	Fr.	7 1			
8	Fr.	8 5			
9	Fr.	9 0			



GR-R 2007 71kg

vieta

1	DMITRIJS BOGAKS	8	Daugm
2	MAKSIMS ČERŅAVSKIS	7	Rēzekne
3	GLEBS ŠABANOVS	3	Rēzekne
4	ARNAS PUIPA	2	LTU/Jon
5	ALEKSANDRS ŠLIČKOVŠ	3	Rēzekne
6	JAROMIRS ŽUKOVŠ	1	Rēzekne
7	GEORGIJS MATVEJEVS	9	Kundz
8	VILIUS VASILIAUSKAS	5	LTU/Kla
9	VITALIJS HUDJAKOVŠ	10	Kundz
10	RUSLANS BURKEVIČŠ	5	D-pils



GR-R 2007 80kg

vieta

1	DANIILS LISKOVIČS	2	Kundz
2	NAZARS JANOVS	3	Rēzekne
3	ARTŪRS BELOUSS	3	D-pils
4	ARTEMIJS HUDOZILOVS	5	Daugm
5	ADRIANS DUDA	1	Daugm

	1. round	2. round	3. round	4. round	5. round	Kl./Th. point
1	$\frac{3}{6}$	$\frac{4}{10}$	$\frac{1}{2}$	$\frac{1}{4}$	$\frac{3}{2}$	$\frac{9}{16}$
2	$\frac{1}{4}$	$\frac{0}{0}$	$\frac{3}{6}$	$\frac{3}{4}$	$\frac{1}{1}$	$\frac{4}{6}$
3	$\frac{4}{10}$	$\frac{0}{0}$	$\frac{4}{8}$	$\frac{0}{0}$	$\frac{0}{0}$	$\frac{10}{22}$
4	$\frac{0}{0}$	$\frac{5}{8}$	$\frac{0}{0}$	$\frac{5}{8}$	$\frac{5}{9}$	$\frac{2}{3}$
5	$\frac{0}{0}$	$\frac{8}{8}$	$\frac{0}{0}$	$\frac{8}{8}$	$\frac{9}{9}$	$\frac{18}{35}$

GR-R 2007 92kg

vieta

1	NEILAS STANIŠAUSKAS	3	LTU/Kla
2	DANIĻA BLINOV	5	Liepāja
3	VIESTURS KILĶENS	3	Saldus
4	KIRILS ŽIVKOVŠ	1	Rēzekne
5	ALEKSEJS REUTS	2	Kundz

	1. round	2. round	3. round	4. round	5. round	Kl./Th. point
1	1 $\frac{4}{8}$ 2 $\frac{0}{0}$	3 $\frac{5}{9}$ 1 $\frac{1}{4}$	5 $\frac{4}{9}$ 1 $\frac{0}{0}$	7 $\frac{3}{7}$ 1 $\frac{1}{1}$	9 $\frac{2}{0}$ 4 $\frac{5}{0}$	1 $\frac{6}{13}$ 2 $\frac{0}{0}$
2	3 $\frac{0}{0}$ 4 $\frac{4}{9}$	4 $\frac{2}{0}$ 3 $\frac{4}{9}$	6 $\frac{5}{8}$ 2 $\frac{0}{0}$	8 $\frac{4}{6}$ 5 $\frac{1}{1}$	10 $\frac{3}{0}$ 5 $\frac{5}{4}$	3 $\frac{7}{16}$ 4 $\frac{16}{24}$
	5. Fr.	4. Fr.	3. Fr.	2. Fr.	1. Fr.	5 $\frac{13}{22}$

GR-R 2007 110kg

vieta

1	PAVELS SOKURENKO	2	Kundz
2	JULIUS GIKARAS	1	LTU/Kla

		Kl./Th. point	
1	$\frac{0}{0}$	1	$\frac{0}{0}$
2	$\frac{4}{8}$	2	$\frac{4}{8}$

FS 2009 38kg

vieta

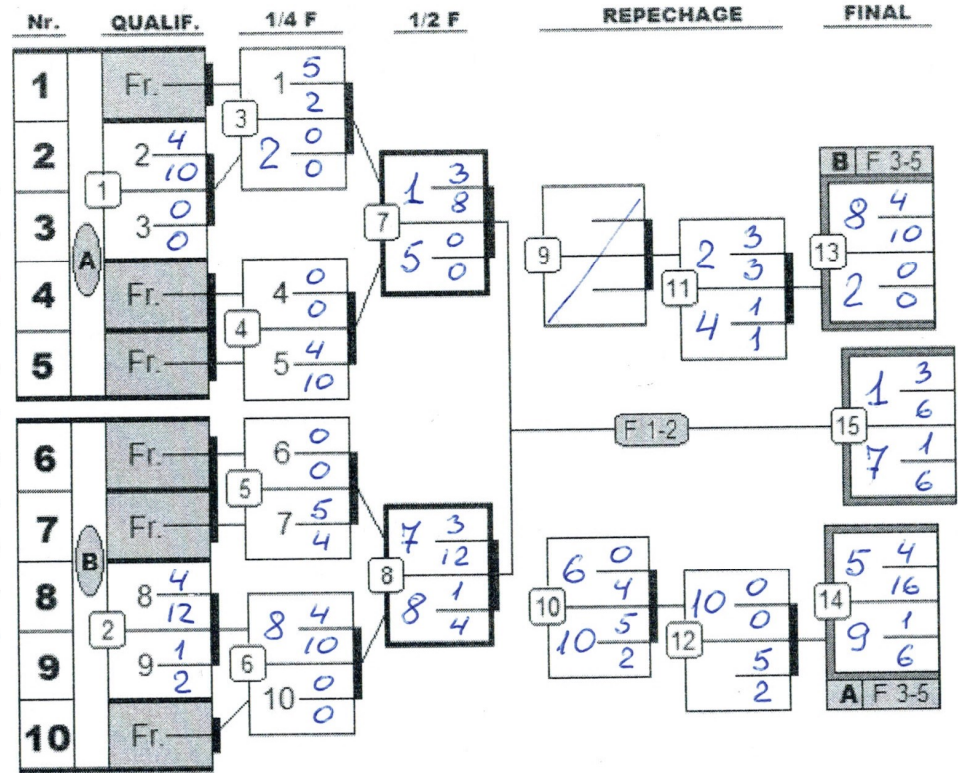
1	NIKITA SOKOLOVS	5	Kundz
2	ABDUL MALIK DEMELKHANOV	1	FIN HPM
3	SAIFULLA AMAGOV	3	FIN HPM
4	SIMONAS STONYS	2	LTU/Ras
5	DANIŁA ŠIPULINS	3	Kundz

	1. round	2. round	3. round	4. round	5. round	Kl./Th. point
1	$\frac{1}{2}$	$\frac{5}{16}$	$\frac{4}{10}$	$\frac{3}{8}$	$\frac{2}{6}$	$\frac{2}{8}$
2	$\frac{4}{12}$	$\frac{1}{6}$	$\frac{1}{0}$	$\frac{1}{0}$	$\frac{0}{3}$	$\frac{16}{33}$
3	$\frac{0}{4}$	$\frac{2}{10}$	$\frac{5}{1}$	$\frac{4}{4}$	$\frac{3}{4}$	$\frac{8}{16}$
4	$\frac{5}{4}$	$\frac{0}{0}$	$\frac{3}{5}$	$\frac{3}{9}$	$\frac{0}{0}$	$\frac{10}{21}$
5						$\frac{8}{26}$

FS 2009 41kg

vieta

Nr.	Fr.	1/4 F	1/2 F	REPECHAGE	FINAL
1	AŽUOLAS ŠKĖMA	1	LTU/Vil		
2	TIMURS KUJALOVŠ	5	LSCSK		
3	MARSSENS MOISEJEVS	9	Augšd n		
4	IBRAHIMS MALOVŠ	10	Kundz		
5	BILAL UMAROV	3	FIN HPM		
6	ARMINAS STUMBRAS	7	LTU/Šaul		
7	RIČARDS TENSBERGS	2	Kundz		
8	NIKITA ŠAPKINS	3	D-pils		
9	IGNAS LEŠČAUSKAS	5	LTU/Kel		
10	ARTŪRS SUHANOVSKIS	8	Kundz		



FS 2009 44kg

vieta

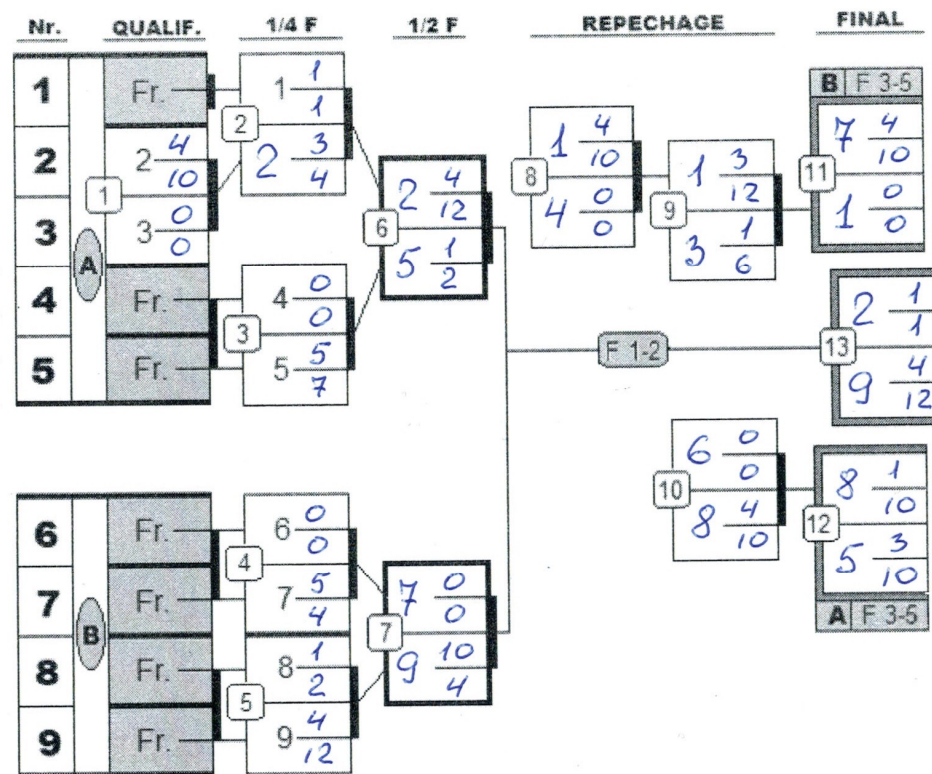
1	ARTJOMS KUJALOVŠ	6	LSCSK
2	JOKŪBAS VALINČIUS	3	LTU/Ras
3	ANRIJS ARSENTJEVS	1	Bauska
4	KASPARS KONRĀDS	7	D-pils
5	RAMA MARGIŠVILI	5	Augšd n
6	ASIFS MALOVŠ	3	Kundz
7	TAJUS LEŠČAUSKAS	2	LTU/Kel

	1. round	2. round	3. round	Kl./Th. point	FINAL										
A	1 $\frac{1}{4}$	1 $\frac{0}{0}$	1 $\frac{5}{0}$	1 $\frac{5}{4}$	<table border="1"> <tr> <td></td> <td></td> </tr> <tr> <td>3 $\frac{5}{4}$</td> <td>A</td> </tr> <tr> <td>4 $\frac{0}{0}$</td> <td></td> </tr> <tr> <td>7 $\frac{0}{0}$</td> <td>B</td> </tr> <tr> <td>10</td> <td></td> </tr> </table>			3 $\frac{5}{4}$	A	4 $\frac{0}{0}$		7 $\frac{0}{0}$	B	10	
	3 $\frac{5}{4}$	A													
	4 $\frac{0}{0}$														
7 $\frac{0}{0}$	B														
10															
2 $\frac{3}{6}$	3 $\frac{5}{4}$	4 $\frac{0}{0}$	2 $\frac{3}{6}$												
3 $\frac{5}{0}$	2 $\frac{5}{0}$	2 $\frac{0}{0}$	3 $\frac{14}{14}$												
4 $\frac{0}{0}$	4 $\frac{0}{0}$	3 $\frac{4}{10}$	4 $\frac{0}{0}$												
B	5 $\frac{1}{5}$	7 $\frac{4}{10}$	6 $\frac{0}{0}$	5 $\frac{1}{5}$											
	6 $\frac{3}{9}$	5 $\frac{0}{0}$	7 $\frac{3}{6}$	6 $\frac{3}{9}$											
				7 $\frac{7}{6}$											

FS 2009 48kg

vieta

1	TIMURS TRUŠS	5	Kundz
2	DMITRIJS ŠITOVŠ	2	Kundz
3	DEMJANS BADREDINOVŠ	7	LSCSK
4	GĻEBS KIRILOVS	8	D-pils
5	DAŅILA TUMAŠEVIČŠ	3	D-pils
6	ARTJOMS TIMOFEJEVS	9	D-pils
7	KAROLIS RUIBYS	3	LTU/Ras
8	ANTON REINIKAINEN	5	FIN HPM
9	ARTŪRS NIZINS	1	D-pils



FS 2009 52kg

vieta

1	DANIĻA LAZAREVS	3	D-pils
2	STANISĻAVS KORSOKOVS	7	Kundz
3	DENAS UOKA	2	LTU/Kla
4	IGNAS BANEVIČIUS	5	LTU/Kel
5	ARTJOMS CVETKOVS	1	Kundz
6	VLADIMIRS SVITŅOVŠ	6	Kundz
7	ARMANDS LĪCIS	3	Kundz
8	MEIRANDAS ŽUKAS	8	LTU/Kla

	1. round	2. round	3. round	Kl./Th. point	FINAL		
A	1 $\frac{3}{17}$	1 $\frac{0}{0}$	1 $\frac{4}{15}$	1 $\frac{7}{32}$	<table border="1"> <tr> <td>3 $\frac{0}{0}$</td> </tr> <tr> <td>5 $\frac{4}{10}$</td> </tr> </table>	3 $\frac{0}{0}$	5 $\frac{4}{10}$
	3 $\frac{0}{0}$						
	5 $\frac{4}{10}$						
	2 $\frac{1}{13}$	3 $\frac{5}{9}$	4 $\frac{1}{4}$	2 $\frac{2}{15}$			
3 $\frac{5}{7}$	2 $\frac{1}{2}$	2 $\frac{0}{0}$	3 $\frac{15}{20}$				
4 $\frac{0}{0}$	4 $\frac{4}{14}$	3 $\frac{5}{4}$	4 $\frac{5}{18}$				
B	5 $\frac{5}{2}$	5 $\frac{3}{8}$	5 $\frac{4}{10}$	5 $\frac{12}{20}$			
	6 $\frac{0}{0}$	7 $\frac{1}{4}$	8 $\frac{0}{0}$	6 $\frac{5}{8}$			
	7 $\frac{4}{10}$	6 $\frac{5}{8}$	6 $\frac{0}{0}$	7 $\frac{9}{24}$			
	8 $\frac{0}{0}$	8 $\frac{0}{0}$	7 $\frac{4}{10}$	8 $\frac{0}{0}$			

FS 2009 57kg

vieta

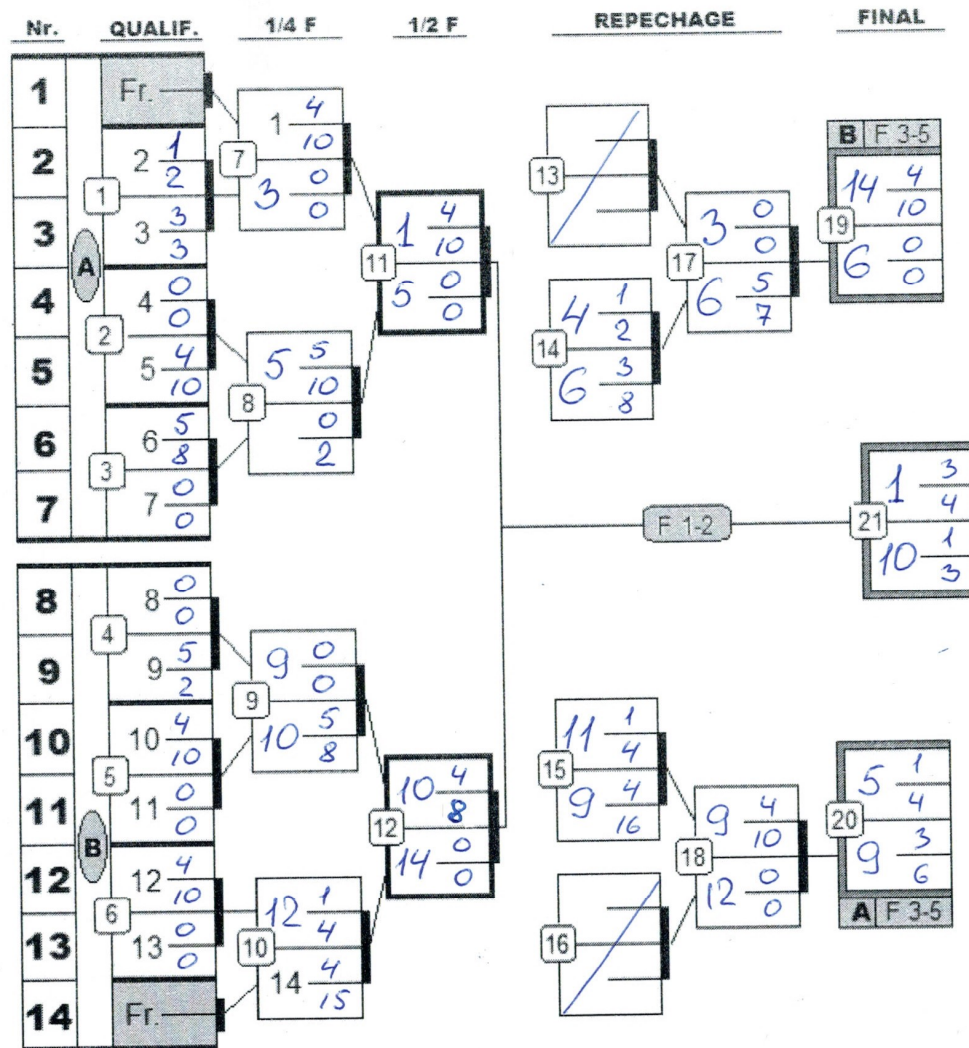
1	IGNAS VALIŪNAS	2	LTU/Šaul
2	DMITRIJS ČERŅAVSKIS	5	D-pils
3	FJODORS AVDEJENKO	3	D-pils
4	ANDREASS DANIĒLS ŠČASNIJS	3	D-pils
5	BAKIRS MAMEDOVS	1	D-pils
6	TIMOFEJS KUHARONOKS	6	D-pils

	1. round	2. round	3. round	Kl./Th. point	FINAL																																
A	<table border="1"> <tr><td>1</td><td>4</td></tr><tr><td>2</td><td>2</td></tr><tr><td>12</td><td>2</td></tr></table>	1	4	2	2	12	2	<table border="1"> <tr><td>3</td><td>0</td></tr><tr><td>1</td><td>4</td></tr><tr><td>0</td><td>10</td></tr></table>	3	0	1	4	0	10	<table border="1"> <tr><td>2</td><td>1</td></tr><tr><td>3</td><td>3</td></tr><tr><td>10</td><td>11</td></tr></table>	2	1	3	3	10	11	<table border="1"> <tr><td>1</td><td>8</td></tr><tr><td>2</td><td>2</td></tr><tr><td>3</td><td>3</td></tr><tr><td>22</td><td>11</td></tr></table>	1	8	2	2	3	3	22	11	<table border="1"> <tr><td>1</td><td>0</td></tr><tr><td>5</td><td>4</td></tr><tr><td>0</td><td>10</td></tr></table>	1	0	5	4	0	10
1	4																																				
2	2																																				
12	2																																				
3	0																																				
1	4																																				
0	10																																				
2	1																																				
3	3																																				
10	11																																				
1	8																																				
2	2																																				
3	3																																				
22	11																																				
1	0																																				
5	4																																				
0	10																																				
B	<table border="1"> <tr><td>4</td><td>0</td></tr><tr><td>5</td><td>4</td></tr><tr><td>0</td><td>10</td></tr></table>	4	0	5	4	0	10	<table border="1"> <tr><td>6</td><td>0</td></tr><tr><td>4</td><td>5</td></tr><tr><td>0</td><td>0</td></tr></table>	6	0	4	5	0	0	<table border="1"> <tr><td>5</td><td>5</td></tr><tr><td>6</td><td>0</td></tr><tr><td>5</td><td>0</td></tr><tr><td>6</td><td>0</td></tr></table>	5	5	6	0	5	0	6	0	<table border="1"> <tr><td>4</td><td>5</td></tr><tr><td>5</td><td>9</td></tr><tr><td>6</td><td>0</td></tr><tr><td>0</td><td>10</td></tr><tr><td>0</td><td>0</td></tr></table>	4	5	5	9	6	0	0	10	0	0			
4	0																																				
5	4																																				
0	10																																				
6	0																																				
4	5																																				
0	0																																				
5	5																																				
6	0																																				
5	0																																				
6	0																																				
4	5																																				
5	9																																				
6	0																																				
0	10																																				
0	0																																				

FS 2009 62kg

vieta

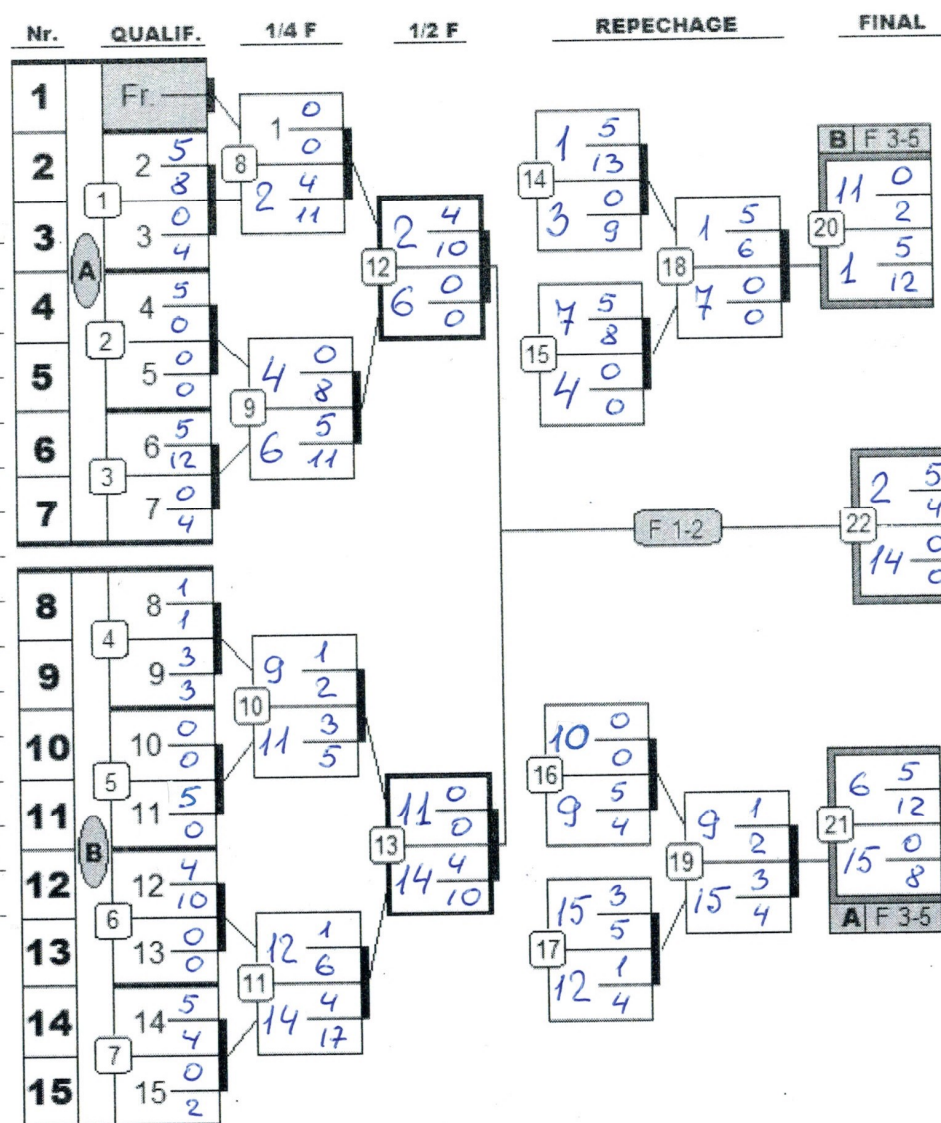
1	ELVINAS ŽAKAITIS	1	LTU/Ras
2	VALTERS MATISONS	11	Kundz
3	DENISS DALIBA	8	LSCSK
4	VILLE VATKA	10	FIN HPM
5	MATVEJS GLINKINS	5	LSCSK
6	DOMANTAS SKRODENIS	5	LTU/Kel
7	ROMVALDS TUKĀNS	14	Augšd n
8	DANIELS LUKŠA	13	D-pils
9	IĻJA JAKOVLEV	3	LTU/Kla
10	IĻJA IVANOVS	2	D-pils
11	DEMIDS JUDINS	9	Jelg n
12	IGORS OSJMUHINS	7	Kundz
13	RODIONS SERGEJEVS	12	Kundz
14	DMITRIJS DALIBA	3	LSCSK



FS 2009 68kg

vieta

1	MIHAILS JEGOROVŠ	3	Kundz
2	KLAIDAS DILDA	1	LTU/Šaul
3	JEGORS STEPANOVŠ	12	D-pils
4	JURIJS ZVEREVŠ	10	Kundz
5	DAVIDS DUSINS	15	Kundz
6	NAGLIS KANAŠ	3	LTU/Šaul
7	GEORG KOTUŠKIS	9	Jelg n
8	RAUGARDOS ZIBALIS	11	LTU/Rad
9	LIONELS ŠAPOVALS	7	Kundz
10	DANIELS ŠLEVE	14	Kundz
11	DAVIDS ŠINDERS	5	D-pils
12	SIMONAS MASIULIS	8	LTU/Ras
13	DANIELS ŠIŠKO	13	LSCSK
14	VADYM HULENKO	2	LTU/Kaun
15	RIMGAUDAS RIMKUS	5	LTU/Rad



FS 2009 75kg

vieta

1	VLADISLAVS AVLASINS	3	D-pils
2	ALEKSIS ZIHMANIS	1	Jelg n
3	ROBERTS BAĻČŪNS	2	Augšd n
4	DMITRIJS IVANOVS	3	D-pils

1. round		2. round		3. round		Kl./Th. point	
1	$\frac{0}{0}$	1	$\frac{0}{0}$	1	$\frac{5}{10}$	1	$\frac{5}{10}$
2	$\frac{5}{10}$	3	$\frac{5}{8}$	4	$\frac{0}{0}$	2	$\frac{15}{25}$
3	$\frac{5}{10}$	2	$\frac{5}{5}$	2	$\frac{5}{10}$	3	$\frac{10}{28}$
4	$\frac{0}{0}$	4	$\frac{0}{0}$	3	$\frac{0}{10}$	4	$\frac{0}{0}$

FS 2009 85kg

vieta

1	IVANS FIĻIMONOVŠ	3	Jelg n
2	IĻJA BARANOVSKIS	6	D-pils
3	VSEVOLODS SERGEJEVS	1	Kundz
4	SKOMANTAS RIMKUS	2	LTU/Kaun
5	MATVEJS TIHOMIROVS	3	Daugmale
6	JEGORS JAKOVĻEVS	5	D-pils

	1. round	2. round	3. round	Kl./Th. point	FINAL
A	$\begin{array}{r} 1 \frac{5}{8} \\ 2 \frac{0}{0} \end{array}$	$\begin{array}{r} 3 \frac{4}{10} \\ 1 \frac{0}{0} \end{array}$	$\begin{array}{r} 2 \frac{0}{0} \\ 3 \frac{4}{10} \end{array}$	$\begin{array}{r} 1 \frac{5}{9} \\ 2 \frac{0}{0} \\ 3 \frac{8}{20} \end{array}$	$\begin{array}{r} \text{A} \\ 3 \frac{3}{8} \\ \text{B} \\ 4 \frac{1}{2} \end{array}$
B	$\begin{array}{r} 4 \frac{5}{4} \\ 5 \frac{0}{0} \end{array}$	$\begin{array}{r} 6 \frac{0}{0} \\ 4 \frac{5}{4} \end{array}$	$\begin{array}{r} 5 \frac{5}{12} \\ 6 \frac{0}{1} \end{array}$	$\begin{array}{r} 4 \frac{10}{14} \\ 5 \frac{5}{12} \\ 6 \frac{0}{1} \end{array}$	

FS 2009 +85kg

vieta

1	TOMASS ĻEĢAJEVS	2	Ķek n
2	ALEKSEJS GOLUBS	3	LSCSK
3	ERNESTS STABIŅŠ	1	Kundz
4	KIRILLS TAMANS	3	Kundz

	1. round	2. round	3. round	Kl./Th. point
1	$\begin{array}{r} 1 \quad 3 \\ \hline 8 \end{array}$	$\begin{array}{r} 1 \quad 0 \\ \hline 0 \end{array}$	$\begin{array}{r} 1 \quad 5 \\ \hline 0 \end{array}$	$\begin{array}{r} 1 \quad 8 \\ \hline 8 \end{array}$
2	$\begin{array}{r} 2 \quad 1 \\ \hline 6 \end{array}$	$\begin{array}{r} 3 \quad 4 \\ \hline 10 \end{array}$	$\begin{array}{r} 4 \quad 0 \\ \hline 0 \end{array}$	$\begin{array}{r} 2 \quad 6 \\ \hline 6 \end{array}$
3	$\begin{array}{r} 3 \quad 5 \\ \hline 0 \end{array}$	$\begin{array}{r} 2 \quad 5 \\ \hline 0 \end{array}$	$\begin{array}{r} 2 \quad 0 \\ \hline 0 \end{array}$	$\begin{array}{r} 3 \quad 8 \\ \hline 20 \end{array}$
4	$\begin{array}{r} 4 \quad 0 \\ \hline 0 \end{array}$	$\begin{array}{r} 4 \quad 0 \\ \hline 0 \end{array}$	$\begin{array}{r} 3 \quad 4 \\ \hline 10 \end{array}$	$\begin{array}{r} 4 \quad 0 \\ \hline 0 \end{array}$

FS 2007 51kg

vieta

1	JEVGENIJS GORKINS	1	D-pils
---	-------------------	---	--------

PLACE

1

FS 2007 55kg**vieta**

1	NEDAS LEŠČAUSKAS	2	LTU/Kel
2	NIKITA GRIGORJEVS	1	D-pils

		Kl./Th. point	
1	$\frac{0}{0}$	1	$\frac{0}{0}$
2	$\frac{4}{10}$	2	$\frac{4}{10}$

FS 2007 60kg

vieta

1	JONAS DANAUSKAS	1	LTU/Kelm
2	VLADIMIRS VASIĻJEVS	2	D-pils

		Kl./Th. point	
1	$\frac{5}{0}$	1	$\frac{5}{0}$
2	$\frac{0}{0}$	2	$\frac{0}{0}$

FS 2007 65kg

vieta

1	MARTYNAS PLIAKUS	2	LTU/Kla
2	VLADISLAVS PAVLOVS	5	D-pils
3	KRISTOFERS PURIŅŠ	3	Kundz
4	DENISS TEĻŽNIKOVŠ	7	D-pils
5	MARKUSS IZKALNS	1	Ķek SK Dgm
6	KRISTAPS BAĻČŪNS	6	Augšd n
7	DENISS ALEKSANDRS AKUNTJEVS	3	D-pils

	1. round	2. round	3. round	Kl./Th. point	FINAL				
A	1 $\frac{4}{11}$ 2 $\frac{0}{0}$	4 $\frac{4}{10}$ 3 $\frac{0}{0}$	7 $\frac{5}{0}$ 4 $\frac{0}{0}$	1 $\frac{13}{21}$ 2 $\frac{6}{1}$	<table border="1"> <tr><td>A</td></tr> <tr><td>1 $\frac{1}{2}$</td></tr> <tr><td>5 $\frac{4}{13}$</td></tr> <tr><td>B</td></tr> </table>	A	1 $\frac{1}{2}$	5 $\frac{4}{13}$	B
	A								
	1 $\frac{1}{2}$								
	5 $\frac{4}{13}$								
B									
2 $\frac{5}{0}$ 4 $\frac{0}{0}$	5 $\frac{5}{0}$ 4 $\frac{0}{0}$	8 $\frac{1}{1}$ 3 $\frac{4}{11}$	3 $\frac{9}{11}$ 4 $\frac{0}{0}$						
3 $\frac{4}{10}$ 6 $\frac{0}{0}$	6 $\frac{1}{1}$ 5 $\frac{4}{11}$	9 $\frac{0}{0}$ 7 $\frac{4}{10}$	5 $\frac{8}{21}$ 6 $\frac{0}{0}$						
6 $\frac{0}{0}$	7 $\frac{5}{11}$		7 $\frac{5}{11}$						

FS 2007 71kg

vieta

1	ROMAN KOVALOV	5	Kundz
2	ARTŪRS GORBAČOVŠ	3	Kundz
3	EDGARS GRISLIS	2	Kundz
4	DANIILS MALIŠEVŠ	7	D-pils
5	JUSTAS BERŽONSKIS	1	LTU/Kla
6	ARTJOMS SELEZEŅŠ	6	D-pils
7	JAN STANIUS	3	LTU/Kla
8	NIKITA KISELOVS	8	D-pils

	1. round	2. round	3. round	Kl./Th. point	FINAL										
A	1 $\frac{0}{1}$	1 $\frac{0}{0}$	1 $\frac{5}{4}$	1 $\frac{5}{4}$	<table border="1"> <tr> <td colspan="2">A</td> </tr> <tr> <td>3</td> <td>1</td> </tr> <tr> <td>5</td> <td>3</td> </tr> <tr> <td>5</td> <td>6</td> </tr> <tr> <td colspan="2">B</td> </tr> </table>	A		3	1	5	3	5	6	B	
	A														
	3	1													
	5	3													
5	6														
B															
2 $\frac{5}{14}$	3 $\frac{5}{4}$	4 $\frac{0}{0}$	2 $\frac{10}{14}$												
3 $\frac{5}{0}$	2 $\frac{5}{0}$	2 $\frac{0}{0}$	3 $\frac{14}{14}$												
4 $\frac{0}{0}$	4 $\frac{0}{0}$	3 $\frac{4}{10}$	4 $\frac{0}{0}$												
B	3 $\frac{3}{7}$	5 $\frac{3}{4}$	5 $\frac{5}{0}$	5 $\frac{11}{11}$											
	6 $\frac{1}{2}$	7 $\frac{0}{0}$	8 $\frac{0}{0}$	6 $\frac{6}{2}$											
	7 $\frac{5}{0}$	6 $\frac{5}{0}$	6 $\frac{0}{0}$	7 $\frac{9}{10}$											
	8 $\frac{0}{0}$	8 $\frac{0}{0}$	7 $\frac{4}{10}$	8 $\frac{0}{0}$											

FS 2007 80kg

vieta

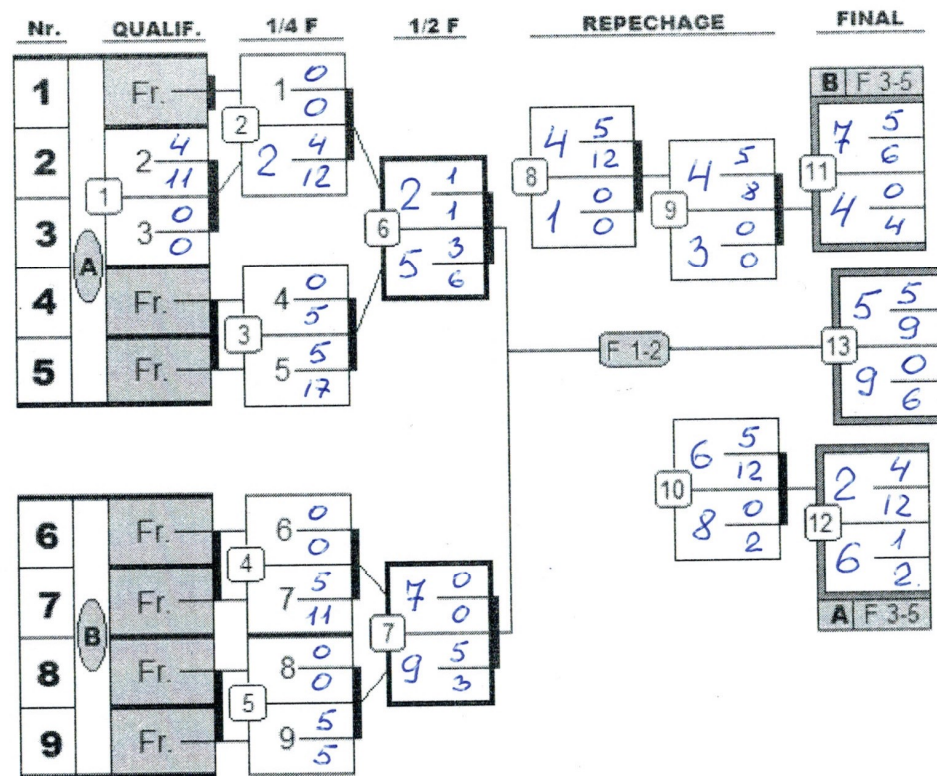
1	KAJUS MATEVIČIUS	5	LTU/Šaul
2	VIKTORS KRAVČENKO	2	Kundz
3	LAURIS PURIŅŠ	3	Kundz
4	ALEKSEJS BIRJUKOVŠ	8	Augšd n
5	EVERTS TOPORKOVŠ	7	Krāslava
6	ARTJOMS BOBROVS	3	Kundz
7	ANDREJS MIŠTOVTS	6	D-pils
8	ALIFKHAN AMIROV	1	D-pils

	1. round	2. round	3. round	Kl./Th. point	FINAL								
A	1 $\frac{0}{0}$	1 $\frac{0}{0}$	1 $\frac{5}{14}$	1 $\frac{5}{14}$	<table border="1"> <tr> <td colspan="2">A</td> </tr> <tr> <td>2</td> <td>$\frac{1}{2}$</td> </tr> <tr> <td>8</td> <td>$\frac{4}{12}$</td> </tr> <tr> <td colspan="2">B</td> </tr> </table>	A		2	$\frac{1}{2}$	8	$\frac{4}{12}$	B	
	A												
	2	$\frac{1}{2}$											
	8	$\frac{4}{12}$											
B													
2 $\frac{5}{8}$	3 $\frac{4}{10}$	4 $\frac{0}{0}$	2 $\frac{15}{16}$										
3 $\frac{5}{0}$	2 $\frac{5}{0}$	2 $\frac{5}{8}$	3 $\frac{9}{10}$										
4 $\frac{0}{0}$	4 $\frac{0}{0}$	3 $\frac{0}{0}$	4 $\frac{0}{0}$										
B	3 $\frac{0}{0}$	5 $\frac{0}{0}$	5 $\frac{0}{0}$	5 $\frac{0}{0}$									
	6 $\frac{4}{10}$	7 $\frac{5}{4}$	8 $\frac{4}{10}$	6 $\frac{9}{21}$									
	7 $\frac{0}{0}$	6 $\frac{1}{1}$	6 $\frac{4}{10}$	7 $\frac{5}{4}$									
	8 $\frac{4}{10}$	8 $\frac{3}{6}$	7 $\frac{0}{0}$	8 $\frac{11}{26}$									

FS 2007 92kg

vieta

1	DĀVIS GABRĀNS	9	Jelg n
2	ARNAS JOKIMČIUS	3	LTU/Kel
3	TIMURS KĻUJEVS	8	Kundz
4	MĀRIS BALTMANIS	5	Augšd n
5	VALĒRIJS BARINOVS	1	D-pils
6	RENĀTS MEDZIŅŠ	5	Augšd n
7	MINDAUGAS PAULAUSKAS	3	LTU/Kla
8	DMITRIJS CAREVS	7	Krāslava
9	VALERIJ GOLOVATIJ	2	LTU/Kla



FS 2007 110kg

vieta

PLACE

1	NEILS JAVOROVIČS
---	------------------

1	Jelg.n
---	--------

1

WW 2009 33kg

vieta

1	OKSANA AMIRDZHANOVA	1	LTU/Kaun
2	NICOLE RISYTĒ FIGUEIREDO	2	LTU/Jon

		Kl./Th. point	
1	5	1	5
	3		3
2	0	2	0
	4		4